

8

7

6

5

4

3

2

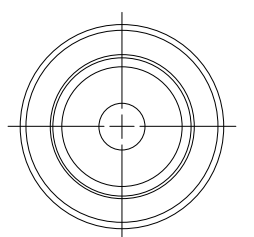
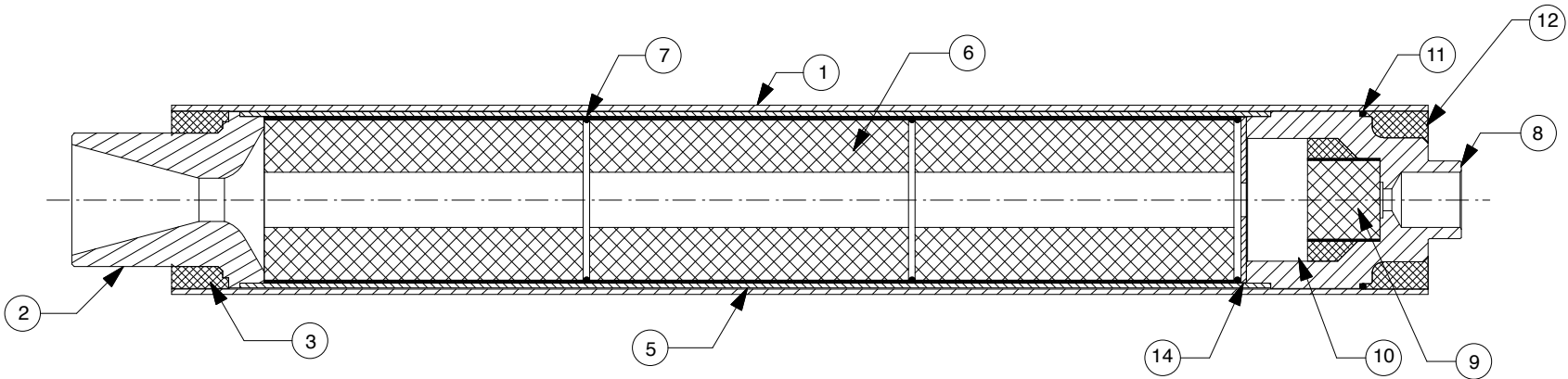
1

NOTES:

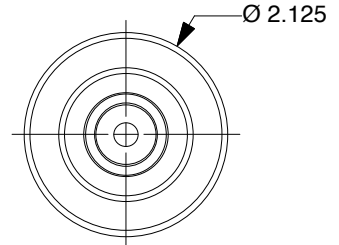
1.

REVISIONS

EFFECTIVITY	REV	DESCRIPTION	DATE	APPROVED
FUTURE	A	FIRST RELEASE ISSUE	12 / 29 / 15	



AFT END VIEW



FORWARD END VIEW

1	05406-1	FWD BAFFLE DISK (1.870" O.D. X 3/8" I.D. X 1/16")	14
			13
AR	N/A	EPOXY	12
1	00032	BULKHEAD O-RING (2.000" O.D. X 1/16") 032	11
AR	N/A	EPOXY	10
1	N/A	DELAY GRAIN (.933" O.D.)	9
1	01919 REV A	54MM DMS MOLDED BULKHEAD (ABS PLASTIC)	8
3	00031	GRAIN SPACER O-RING (1.875" O.D. X 1/16") 031	7
3	N/A	GRAIN (1.87" O.D. X 3.583" X .625" CORE)	6
1	03000	54MM PHENOLIC LINER	5
			4
AR	N/A	EPOXY	3
1	01670	54MM LARGE NOZZLE	2
1	01990-2	FIBERGLASS CASE (2.125" O.D. X 14.104")	1

UNLESS OTHERWISE SPECIFIED DIMENSIONS ARE IN INCHES		LIST OF MATERIAL	
.XX +/- .010	.XXX +/- .005	ANGLES +/- 2 deg.	
MATERIAL		CONTRACT NUMBER	
NOTED		PREP G. ROSENFELD 12 / 15	
FINISH		CHKR	
		APVD	
		APVD	
		SCALE 1 / 2	
		SHEET 1 OF 1	

**RCS** ROCKET MOTOR COMPONENTS, INC.  
 2113 W. 850 N. Street  
 Cedar City, Utah 84721  
 (435) 867-9998 (Ph)  
 (443) 222-0203 (Fax)

**GENERIC 54MM SINGLE-USE HP EMK™ MOTOR ASSEMBLY**  
 SIZE **A** NUMBER **122915-03**

8

7

6

5

4

3

2

1