

SUBMITTAL DATA: 3PAMSH12A-16.5 SYSTEM

SINGLE-ZONE MINI-SPLIT SUBMITTAL DATA
12,000 BTU/H WALL-MOUNTED HEAT-PUMP SYSTEM

Job Name:	
Purchaser:	
Submitted To:	
Submitted By:	
System Designation:	
Location:	

Date:	
Reference: □	
Approval: □	
Construction: □	
Schedule No:	
Engineer:	
Notes:	

Indoor Model Number: 3PAMSH12A-SZW

Outdoor Model Number: 3PAMSH12A-SZO

Power Supply	Ph-V-Hz	115V~ 60Hz ,1Ph	
Cooling*	Rated Capacity	Btu/h	12000
	Input	W	1368
	Rated current	A	11.89
	EER	Btu/w	8.8
	SEER	Btu/w	16.5

Heating*	Rated Capacity	Btu/h	12000
	Input	W	1212
	Rated current	A	10.54
	COP	W/W	2.90
	HSPF4	BTU/w	9.4
HSPF5	BTU/w	7.7	

* Rating Conditions: (Cooling) - Indoor: 80°F (26.67°C) DB, 67°F (19.44°C) WB; Outdoor: 95°F (35.00°C) DB, 75°F (23.89°C) WB.

* Rating Conditions: (Heating) - Indoor: 70°F (21.11°C) DB, 60°F (15.56°C) WB; Outdoor: 47°F (8.33°C) DB, 43°F (6.11°C) WB.

MINIMUM CIRCUIT AMPACITY	A	17	
MAX.FUSE	A	20	
Moisture Removal	pts/h	2.1	
Compressor	Model	KSK103D33UEZ3(YJ)	
	Type	ROTARY	
	Brand	GMCC	
	Capacity	Btu/h	11106
	Input	W	826
	Rated current (RLA)	A	12.5
Refrigerant Oil / Oil Charge	ml	ESTER OIL VG74-310	
Indoor Fan Motor	Model	YKFG-15-4-28-1	
	Brand	Welling	
	Input	W	46
	RLA	A	0.4
Speed (Hi/Mi/Lo)	r/min	1180/950/750	
Indoor Air Flow (Hi/Mi/Lo)	m3/h	540/410/300	
Indoor Air Flow (Hi/Mi/Lo)	CFM	317.65/241.18/176.47	
Indoor Noise Level (Hi/Mi/Lo)	dB(A)	41/34.5/27.5	
Indoor Unit	Dimension(W*D*H)	mm	805x194x285
	Dimension(W*D*H)	inch	31.69x7.64x11.22
	Packing (W*D*H)	mm	870x270x365
	Packing (W*D*H)	inch	34.25x10.63x14.37
	Net/Gross weight	Kg	7.8/10.1
	Net/Gross weight	lbs.	17.20/22.27
Outdoor Fan Moto	Model	ZKFN-20-8-1	
	Brand	Wellington	
	Input	W	55.5/46.5/39.5
	RLA	A	0.7
Speed	r/min	900/850/800	
Outdoor Air Flow	m3/h	1800	
Outdoor Air Flow	CFM	1059	
Outdoor Noise Level	dB(A)	55	
Outdoor Unit	Dimension(W*D*H)	mm	720x270x495
	Dimension(W*D*H)	inch	28.35x10.63x19.49
	Packing (W*D*H)	mm	835x300x540
	Packing (W*D*H)	inch	32.87x11.81x21.26
	Net/Gross weight	Kg	25/26.7
	Net/Gross weight	lbs.	55.12/58.86

Refrigerant Type	g	R410A/730	
Refrigerant Type	oz	R410A/25.75	
Refrigerant Precharge	ft	25	
Additional Charge For Each Lineal Foot Over 25	oz	0.161	
Design Pressure	PSIG	550/340 PSIG	
Refrigerant Piping	Liquid side / Gas side	mm(in.)	Φ6.35/Φ9.52(1/4"/3/8")
	Max. refrigerant pipe length	m	25
	Max. refrigerant pipe length	ft	82
	Max. difference in height leve	m	10
Max. difference in height leve	ft	33	
	Connection Wiring		16AWG*4 Stranded, unshielded
Thermostat Type		Remote Control	
Operation Temperature	Indoor (cooling/heating)	°C	17~32/0~30
	Indoor (cooling/heating)	°F	62~90/32~86
	Outdoor (cooling/heating)	°C	0~50/-15~30
	Outdoor (cooling/heating)	°F	32~122/5~86
	Outdoor (cooling/heating) - Low Ambient	°C	-15~50/-15~30
Outdoor (cooling/heating) - Low Ambient	°F	5~122/5~86	
Application Area (Cooling Standard)	m ²	16-23.4	
Application Area (Cooling Standard)	sq.ft	172-252	

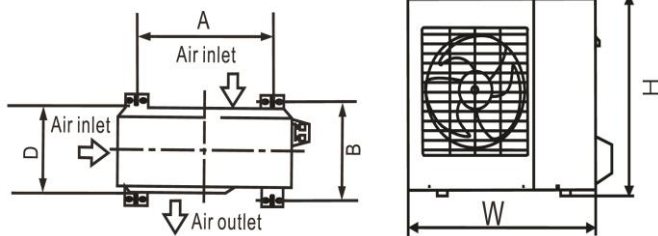
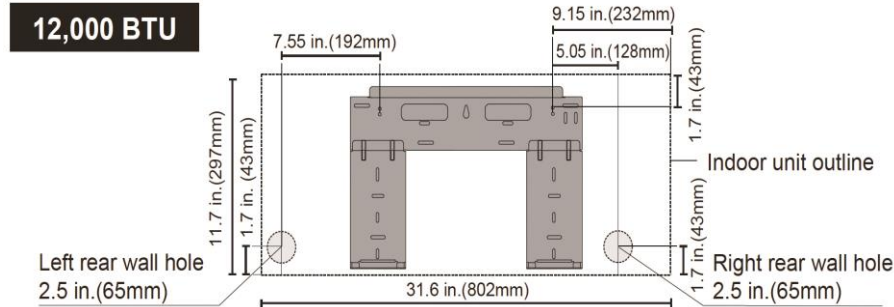


SUBMITTAL DATA: 3PAMSH12A-16.5 SYSTEM

Indoor Model Number: 3PAMSH12A-SZW

Outdoor Model Number: 3PAMSH12A-SZO

12,000 BTU/H WALL-MOUNTED HEAT-PUMP SYSTEM



Outdoor Unit Dimensions (W x H x D)	Mounting Dimensions	
	A	B
inches	in.	in.
27 x 17 x 10.25	18.1	10.85
27.5 x 21.25 x 9.45	18	9.85
30.7 x 21.25 x 9.85	21.6	10.85
29.9 x 23.2 x 11.2	20.85	11.4
33.25 x 27.5 x 12.6	22	13.2
31.9 x 22 x 12.2	21.6	12.8
27.9 x 21.65 x 10.63	17.7	10.24
30.3 x 21.85 x 11.81	19.2	11.73
31.5 x 21.8 x 13.1	20.24	13.39
33.25 x 27.5 x 13.38	21.26	13.8
35.4 x 33.85 x 12.4	23.2	13.1
37.2 x 31.9 x 15.55	25.2	15.95
37.21 x 31.9 x 16.53	26.5	15.87

