



## Submittal Sheet

Submitted for:       Approval       Record

Job Name: \_\_\_\_\_

Date: \_\_\_\_\_

Contractor: \_\_\_\_\_

Location: \_\_\_\_\_

Engineer: \_\_\_\_\_

Tag: \_\_\_\_\_

### AIR-CON MULTI-SPLIT

**Indoor Units: A16EM4H4R09**

**Outdoor Units: A16CM4H4R18**

**A16EM4H4R12**

**A16CM4H4R24**

**A16EM4H4R18**

**A16CM4H4R36**

**A16CM4H4R39**

**A16CM4H4R42**

Notes: \_\_\_\_\_

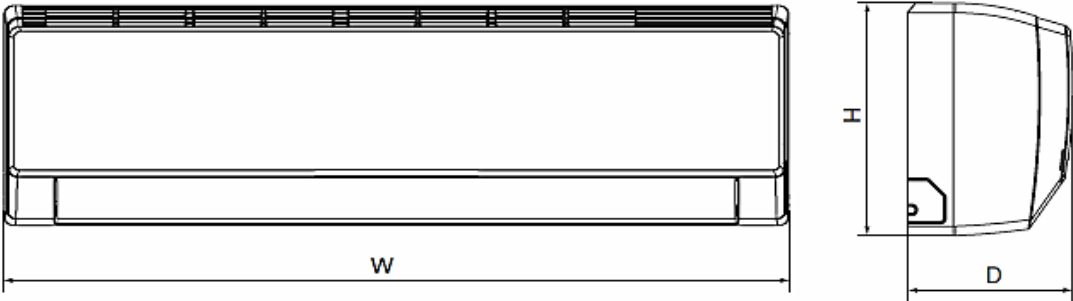
\_\_\_\_\_

\_\_\_\_\_

Summary, Features, and Construction Views

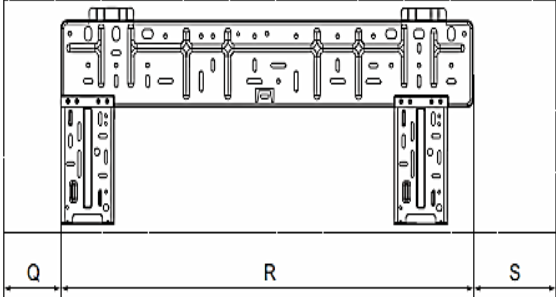
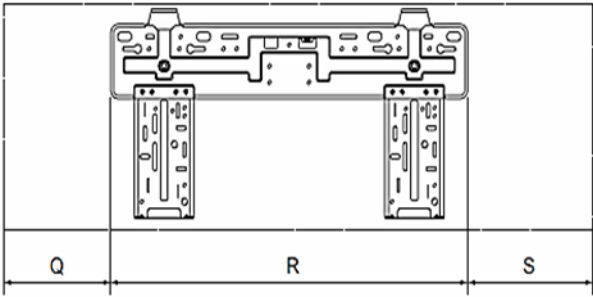
Indoor Units

- A16EM4H4R09
- A16EM4H4R12
- A16EM4H4R18



09 & 12K Indoor Units Wall Bracket:

18K Indoor Unit Wall Bracket:



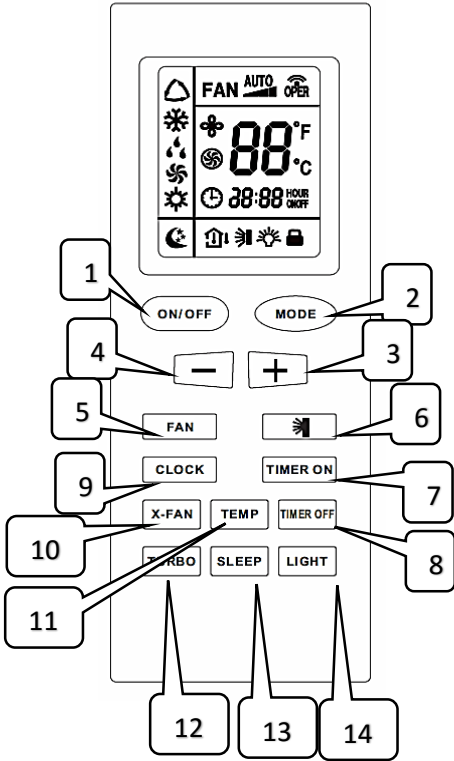
Unit: mm						
Model	W	H	D	Q	R	S
A16EM4H4R09	848	275	180	135	540	173
A16EM4H4R12						
A16EM4H4R18	940	298	200	108	694	138
Unit: Inches						
A16EM4H4R09	33-3/8	10-7/8	7-3/32	5-5/16	21-1/4	6-13/16
A16EM4H4R12						
A16EM4H4R18	37	11-3/4	7-7/8	4-1/4	27-11/32	5-7/16

\*True dimensions in mm, dimensions in inches have been approximated to the nearest 32th of an inch

**Summary, Features, and Construction Views**

**Remote Controller**

**YB1FAF(XFAN)**

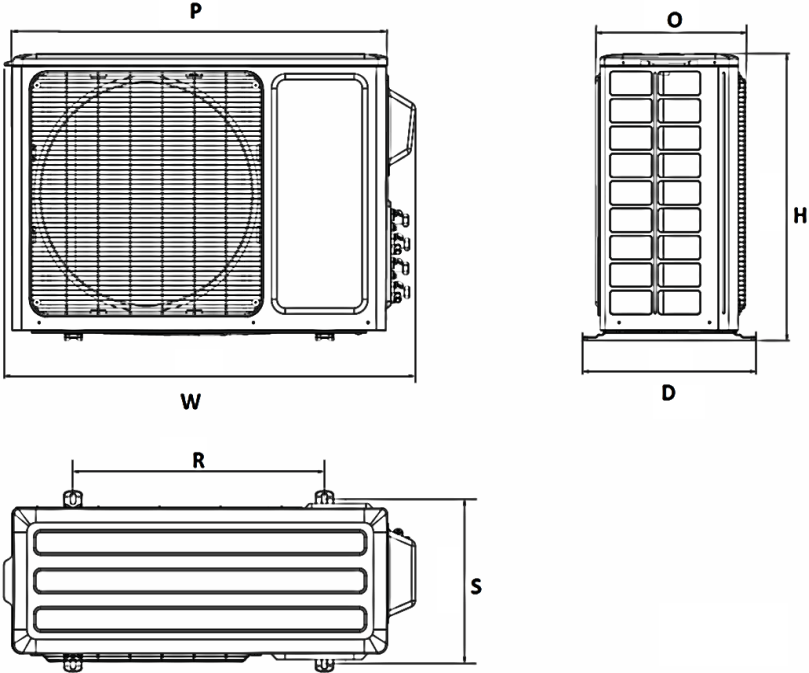


1	ON/OFF-Press to Start/Stop Operation
2	MODE-Press to select operation mode (AUTO/COOL/DRY/FAN/HEAT)
3	+ Press to increase temperature setting
4	- Press to decrease temperature setting
5	FAN-Press to set fan speed
6	☞ Press to set swing angle
7	TIMER ON-Press to set timer on
8	TIMER OFF-Press to set timer off
9	CLOCK-Press to set clock
10	X-FAN-(X-FAN is the alternative expression of BLOW for the purpose of understanding)
11	TEMP
12	TURBO
13	SLEEP
14	LIGHT-Press to turn on or off controller backlight

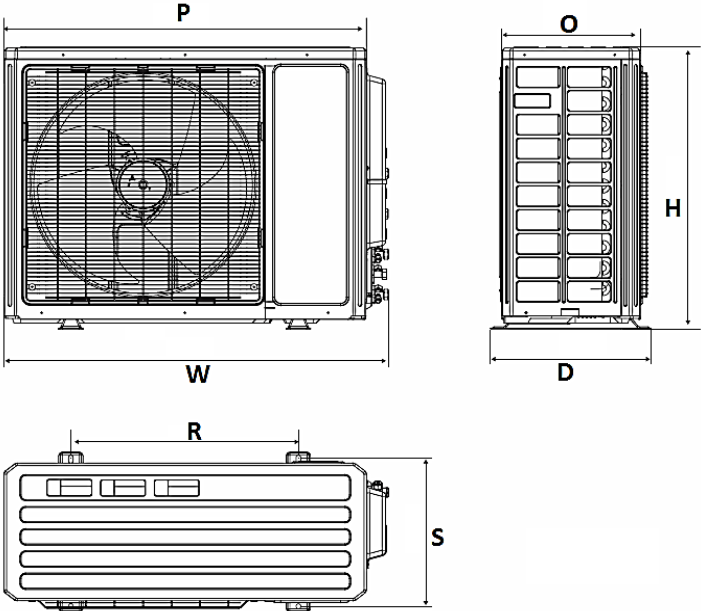
Summary, Features, and Construction Views

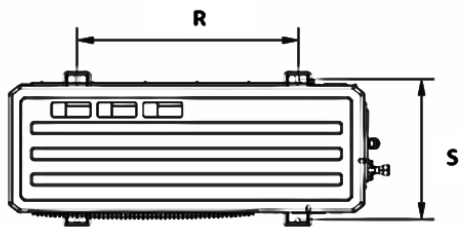
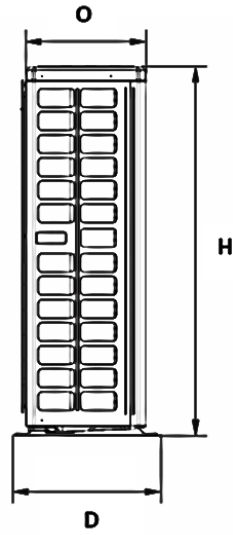
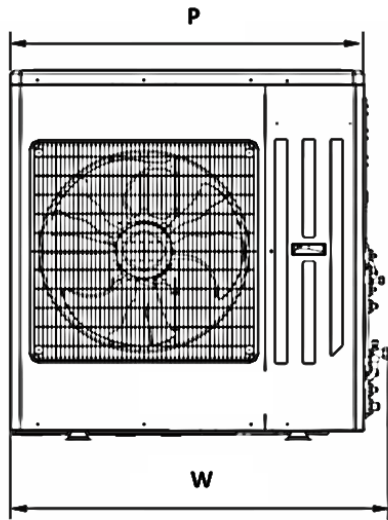
Outdoor Unit

A16CM4H4R18

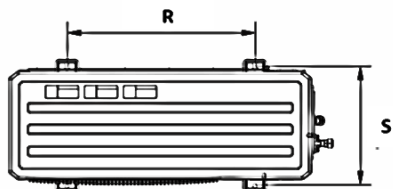
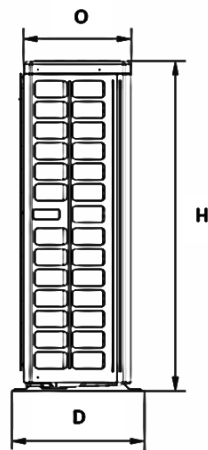
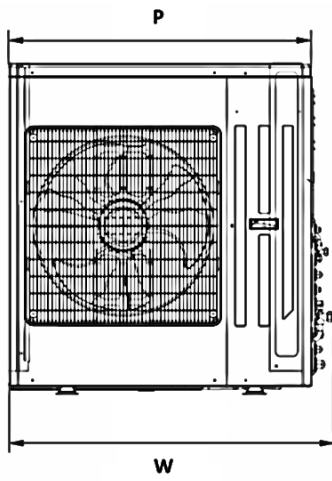


A16CM4H4R24





A16CM4H4R42



Unit: mm							
Model	W	H	D	O	P	R	S
A16CM4H4R18	899	596	378	316	815	550	343
A16CM4H4R24	946	700	396	341	892	560	368
A16CM4H4R36 A16CM4H4R39	1087	1103	440	360	1015	631	401
A16CM4H4R42	1087	1103	440	360	1015	631	401
Unit: Inches							
A16CM4H4R18	35-13/32	23-15/32	14-7/8	12-7/16	32-3/32	21-21/32	13-1/2
A16CM4H4R24	37-1/4	27-9/16	15-19/32	13-7/16	35-1/8	22-1/16	14-1/2
A16CM4H4R36 A16CM4H4R39	42-25/32	43-7/16	17-5/16	14-5/32	39-31/32	24-27/32	15-25/32
A16CM4H4R42	42-25/32	43-7/16	17-5/16	14-5/32	39-31/32	24-27/32	15-25/32

\*True dimensions in mm, dimensions in inches have been approximated to the nearest 32th of an inch

## Specifications

### Specifications

#### Indoor Unit

Parameter	Unit	Value		
Model		A16EM4H4R09	A16EM4H4R12	A16EM4H4R18
Product Code		CB171N04500	CB171N04600	CB171N04700
AHRI Certification				
Rated Voltage	V~	208/230	208/230	208/230
Rated Frequency	Hz	60	60	60
Power Supply Mode		Outdoor	Outdoor	Outdoor
Cooling Capacity	Btu/h	9000	12000	18000
Heating Capacity	Btu/h	9800	13000	19800
Air Flow Volume (SH/H/M/L/SL)	m <sup>3</sup> /h	560/500/430/370/-	580/470/430/370/-	850/780/650/550/-
	CFM	329/294/253/217/-	341/276/253/217/-	500/459/382/323/-
Dehumidifying Volume	L/h	0.8	1.4	1.8
Application Area	m <sup>2</sup>	12-18	16-24	23-24
	ft <sup>2</sup>	129-193	172-258	247-258
Fan Type		Cross-flow	Cross-flow	Cross-flow
Diameter Length (DXL)	mm	Φ92X645	Φ92X645	Φ98X710
	in	Φ3.6X25.4	Φ3.6X25.4	Φ 3.8X27.9
Fan Motor Cooling Speed (SH/H/M/L/SL)	r/min	1260/1100/950/750/-	1280/1100/950/750/-	1350/1200/1050/900/-
Fan Motor Heating Speed (SH/H/M/L/SL)	r/min	1320/1200/1100/950/-	1300/1170/1050/950/-	1420/1250/1150/1050/-
Output of Fan Motor	W	20	20	20
Fan Motor RLA	A	0.2	0.2	0.25
Evaporator Form		Aluminum Fin-copper Tube	Aluminum Fin-copper Tube	Aluminum Fin-copper Tube
Pipe Diameter	mm	Φ7	Φ7	Φ7
	in	Φ0.27	Φ0.27	Φ0.27
Row-fin Gap	mm	2-1.4	2-1.4	2-1.4
	in	0.078-0.055	0.078-0.055	0.078-0.055
Coil Length (LXD <sub>X</sub> W)	mm	645X25.4X267	645X25.4X267	715X25.4X304.8
	in	25.4X1.0X10.5	25.4X1.0X10.5	28.1X1X12
Swing Motor Model		MP24AA	MP24AA	MP28VB
Output of Swing Motor	W	2.4	2.4	2
Fuse	A	3.15	3.15	3.15

Sound Pressure Level (SH/H/M/L/SL)	dB(A)	41/37/35/26/-	42/38/36/26/-	46/44/40/35/-
Sound Power Level (SH/H/M/L/SL)	dB(A)	51/47/45/36/-	52/48/46/36/-	56/54/50/45/-
Dimension (WXHXD)	mm	848X275X180	848X275X180	940X298X200
	in	33.4X10.8X7.0	33.4X10.8X7.0	37.0X11.7X7.8
Dimension of Carton Box (LXWXH)	mm	915X255X355	915X255X355	1010X285X380
	in	36.0X10.0X13.9	36.0X10.0X13.9	39.8X11.2X14.9
Dimension of Package (LXWXH)	mm	918X258X370	918X258X370	1013X288X395
	In	36.1X10.1X14.5	36.1X10.1X14.5	39.9X11.3X15.5
Net Weight	kg	10	10	13
	Lbs	22	22	28.7
Gross Weight	kg	13	13	17
	Lbs	28.7	28.7	37.5

### Outdoor Unit

Parameter		Unit	Value	
Model			A16CM4H4R18	A16CM4H4R24
Product Code			CB228W01600	CB228W01700
Power Supply	Rated Voltage	V~	208/230	208/230
	Rated Frequency	Hz	60	60
	Phases		1	1
Power Supply Mode			Outdoor	Outdoor
Cooling Capacity (Min~Max)		Btu/h	18000(7000~21000)	26000(7500~33000)
Heating Capacity (Min~Max)		Btu/h	19000(8530~22600)	29000(7500~35000)
Cooling Power Input		W	1650(680~2800)	3050(650~4500)
Heating Power Input		W	1640(680~2800)	2800(980~3950)
SEER		Btu/Wh	16	16
HSPF		Btu/Wh	8.5	8.5
Outdoor Unit	Compressor Manufacturer/Trademark		Mitsubishi Electric (Guangzhou) Compressor CO. LTD	Mitsubishi Electric (Guangzhou) Compressor CO. LTD
	Compressor Model		SNB130FGYMC	TNB220FLHMC
	Compressor Oil		PVE/FV50S	PVE/FV50S
	Compressor Type		Rotary	Rotary
	L.R.A.	A	27	45
	Compressor RLA	A	8.4	9.7
	Compressor Power Input	W	1245	2200
	Overload Protector		1NT11L-6578	CS-7C-1595
	Throttling Method		Electronic Expansion Valve	Electronic Expansion Valve
	Operating temperature	°C		16~30
°F			61~86	60.8~86



Ambient Temperature (Cooling)	°C	-5~48	-5~48
	°F	23~118	23~118
Ambient Temperature (Heating)	°C	-15~27	-15~27
	°F	5~80	5~80
Condenser Form		Aluminum Fin-copper Tube	Aluminum Fin-copper Tube
Pipe diameter	mm	Φ7.94	Φ9.52
	in	Φ5/16	Φ3/8
Rows-fin gap	mm	2-1.4	2-1.4
	in	0.079-0.055	0.079-0.055
Coil Length (LXD <sub>X</sub> W)	mm	770X38X550	890X44X660
	in	30.31X1.49X21.65	35X1.73X25.9
Fan Motor Speed	RPM	830/670/500	690/600/500
Output of Fan Motor	W	60	60
Fan Motor RLA	A	0.54	0.59
Fan Motor Capacitor	μF	3.5	3.5
Air Flow Volume of Outdoor Unit	m <sup>3</sup> /h	2600/2300/1600	3300/2900/2400
	CFM	1530/1353/941	1945/1710/1415
Fan Type		Axial-Flow	Axial-flow
Fan Diameter	mm	Φ445	Φ520
	in	Φ17.52	Φ20.5
Defrosting Method		Automatic Defrosting	Automatic Defrosting
Climate Type		T1	T1
Isolation		I	I
Moisture Protection		IP24	IP24
Permissible Excessive Operating Pressure for the Discharge Side	MPa	4.3	4.3
	PSI	623	625
Permissible Excessive Operating Pressure for the Discharge Side	MPa	2.5	2.5
	PSI	362	365
Sound Pressure Level (H/M/L)	dB(A)	56/-/-	/
Sound Power Level (H/M/L)	dB(A)	66/-/-	/
Dimension (WXHXD)	mm	899X596X378	946X700X396
	in	35.4X23.5X14.9	37.25X27.6X15.6
Dimension of Carton Box (L/W/H)	mm	945X417X630	1029X458X750
	in	37.2X16.4X24.8	40.5X18X29.5
Dimension of Package (L/W/H)	mm	948X420X645	1032X461X765
	in	37.3X16.5X25.4	40.6X18.15X30.12
Net Weight	kg	43	61
	Lbs	94.8	135
Gross Weight	kg	48	66
	Lbs	105.8	146
Refrigerant		R410A	R410A

	Refrigerant Charge	kg	1.35	2.2
		Lbs	2.9	4.85
Connection Pipe	Length	m	7.5	7.5
		ft	24.6	24.6
	Gas Additional Charge	g/m	20	20
		Oz/ft	0.215	0.215
	Outer Diameter Liquid Pipe	mm	Φ6	Φ6
		in	Φ0.24	Φ15/64
	Outer Diameter Gas Pipe	mm	Φ9.52	Φ9.52
		in	Φ3/8	Φ3/8
	Max Distance Height	m	5	10
		ft	16.4	33
Max Distance Length	m	20	70	
	ft	65.6	230	

Parameter		Unit	Value		
Model			A16CM4H4R36	A16CM4H4R39	A16CM4H4R42
Product Code			CB228W01800	CN860W0030	CN860W0040
Power Supply	Rated Voltage	V~	208/230	208/230	208/230
	Rated Frequency	Hz	60	60	60
	Phases		1	1	1
Power Supply Mode			Outdoor	Outdoor	Outdoor
Cooling Capacity (Min~Max)		Btu/h	29000(7500~34000)	34000(7500~34000)	41000(8530~46403)
Heating Capacity (Min~Max)		Btu/h	30500(7500~36000)	34000(7500~36000)	44500(10662~47768)
Cooling Power Input (Min~Max)		W	3450(650~4500)	3450(650~4500)	4400
Heating Power Input (Min~Max)		W	2850(980~3950)	2850(980~3950)	4600
Cooling Current Input (Min~Max)		A	15.3	15.7	16.43
Heating Current Input (Min~Max)		A	15.20	15.6	16.22
Rated Input		W	4880	5055	5300
Rated Current		A	21.65	22.42	23.50
SEER		Btu/Wh	16	16	16
HSPF		Btu/Wh	8.2	8.2	8.2
Outdoor Unit	Compressor Manufacturer /Trademark		Mitsubishi Electric (Guangzhou) Compressor CO. LTD	Mitsubishi Electric (Guangzhou) Compressor CO. LTD	Mitsubishi Electric (Guangzhou) Compressor CO. LTD

Compressor Model		TNB220FLHMC	TNB220FLHMC	TNB306FPGMC
Compressor Oil		PVE/FV50S	PVE/FV50S	PVE/FV50S
Compressor Type		Twin Rotary	Inverter Scroll	Inverter Scroll
L.R.A.	A	45	/	/
Compressor RLA	A	9.7	21	13.5
Compressor Power Input	W	2200	2200	3010
Overload Protector		CS-7C-1595	Internal Protect Units	CS01F272H01
Throttling Method		Electronic Expansion Valve	Electronic Expansion Valve	Electronic Expansion Valve
Operating Temperature	°C	16~30	16~30	16~30
	°F	60.8~86	60.8~86	60.8~86
Ambient Temperature (Cooling)	°C	-5~48	-5~48	-5~48
	°F	23~118	23~118	23~118
Ambient Temperature (Heating)	°C	-15~27	-15~27	-15~27
	°F	5~80	5~80	5~80
Condenser Form		Aluminum fin-copper tube	Aluminum fin-copper tube	Aluminum fin-copper tube
Pipe diameter	mm	9.52	7.94	7.94
	in	3/8	5/16	5/16
Rows-fin gap	mm	2-1.4	2-1.4	2-1.4
	in	0.079-0.055	0.079-0.055	0.079-0.055
Coil Length (LXDXW)	mm	890X44X660	908.4 X38.1X748	1022.3X38.1X1056
	in	35X1.75X26	35.75X1.5X29.5	40.25X1.5X41.6
Fan Motor Speed	RPM	690/600/500	820	860
Output Motor Speed	W	60	120	140
Fan Motor RLA	A	0.59	/	1.1
Fan Motor Capacitor	μF	3.5	/	7
Air Flow Volume of Outdoor Unit	m³/h	3300/2900/2400	3700	5500
	CFM	1940/1700/1400	2200	3200
Fan Type		Axial-flow	Axial-flow	Axial-flow
Fan Diameter	mm	520	552	570
	in	20.5	21.75	22.5
Defrosting Method		Automatic Defrosting	Automatic Defrosting	Automatic Defrosting

Climate Type		T1	T1	T1
Isolation		I	I	I
Moisture Protection		IP24	IP24	IP24
Permissible Excessive Operating Pressure for the Discharge Side	MPa	4.3	4.3	4.3
	PSI	620	620	620
Permissible Excessive Operating Pressure for the Suction Side	MPa	2.5	2.5	2.5
	PSI	360	360	360
Sound Pressure Level (H)	dB(A)	59	59	58
Sound Power Level (H)	dB(A)	69	69	68
Dimension (WXHXD)	mm	946X700X396	920X427X789	1015X440X1103
	in	37.25X27.6X15.6	36.25X16.8X31	40X17.3X43.4
Dimension of Carton Box (L/W/H)	mm	1029X458X750	1080X485X840	1155X480X1115
	in	40.5X18X29.5	42.5X19X33	45.5X18.9X43.9
Dimension of Package (L/W/H)	mm	1032X461X765	1083X488X855	1158X493X1235
	in	40.6X18X30	42.6X19.2X33.7	45.6X19.4X48.6
Net Weight	Kg	62	69	102
	Lb	137	152	225
Gross Weight	Kg	67	74	112
	Lb	148	163	247
Refrigerant		R410A	R410A	R410A
Refrigerant Charge	Kg	2.2	2.9	4.8
	Lb	4.85	6.39	10.58
Gas Additional Charge	g/m	22	22	22
	Oz/ft	0.24	0.24	0.24
Max Distance Height	m	10	10	15.24
	ft	32.8	32.8	50
Max Distance Length	m	70	70	89
	ft	229.6	229.6	262

### Certified Units Combinations

Outdoor Unit	AHRI Certification	Indoor Unit			Cooling Capacity	EER	SEER
A16CM4H4R18	5493346	A16EW4H4R09(2)			18000	10.20	16.00
	5493347	A16EW4H4R09	A16EW4H4R12		18000	10.20	16.00
	6970608	Non-ducted Indoor Units			18000	10.20	16.00
A16CM4H4R24	5493343	A16EW4H4R09(2)	A16EW4H4R12		26000	8.20	16.00
	5493344	A16EW4H4R09(3)			26000	8.20	16.00
	5493345	A16EW4H4R09	A16EW4H4R12(2)		26000	8.20	16.00
	6970623	Non-ducted Indoor Units			26000	8.20	16.00
A16CM4H4R36	5493341	A16EW4H4R09	A16EW4H4R12(2)	A16EW4H4R18	29000	7.30	16.00
	5493342	A16EW4H4R09(4)			29000	7.30	16.00
	6970636	Non-ducted Indoor Units			29000	7.30	16.00
A16CM4H4R39	6332649	Non-ducted Indoor Units			34000	7.90	16.00
A16CM4H4R42	7180449	Non-ducted Indoor Units			40000	9.30	16.00