



Submittal Sheet

Submitted for: Approval Record

Job Name: _____

Date: _____

Contractor: _____

Location: _____

Engineer: _____

Tag: _____

BLUE SERIES-III DC INVERTER

Outdoor Units: ABXCI4H4S09

Indoor Units: ABXEM4H4S09

ABXCI4H4S12

ABXEM4H4S12

ABXCI4H4S18

ABXEM4H4S18

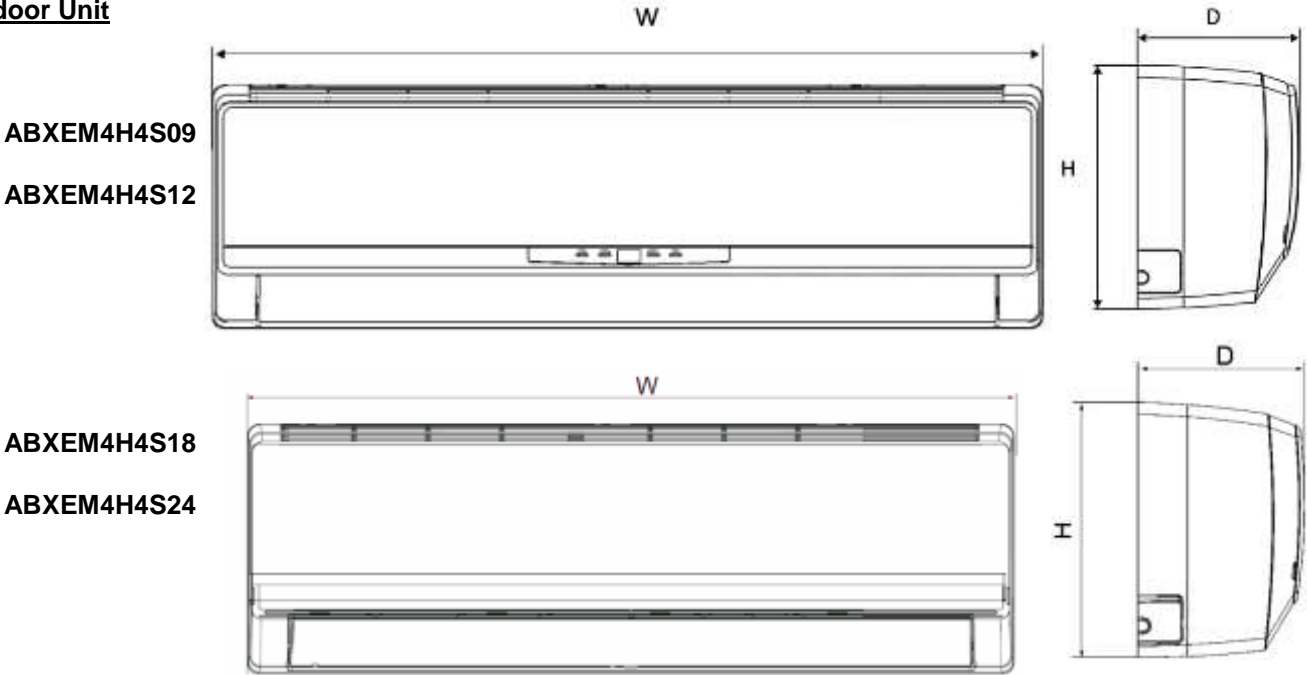
ABXCI4H4S24

ABXEM4H4S24

Notes: _____

Summary, Features, and Construction Views

Indoor Unit

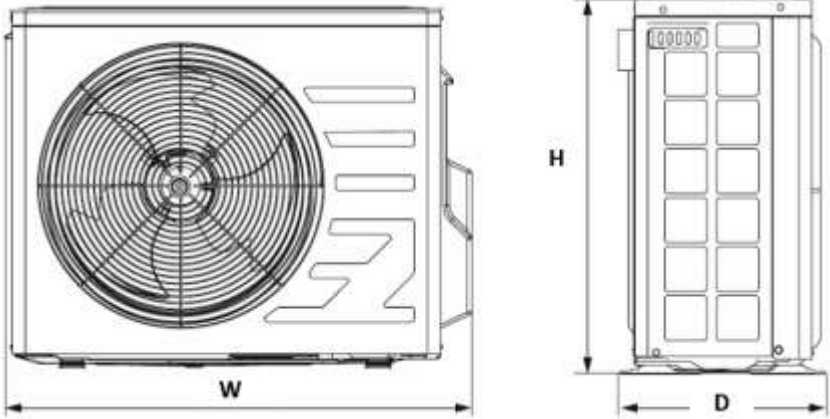


Model	W	H	D
Units:mm			
ABXEM4H4S09 ABXEM4H4S12	835	280	220
ABXEM4H4S18 ABXEM4H4S24	1100	325	244
Units:in			
ABXEM4H4S09 ABXEM4H4S12	32-7/8	11	8-11/16
ABXEM4H4S18 ABXEM4H4S24	43-5/16	12-13/16	9-5/8

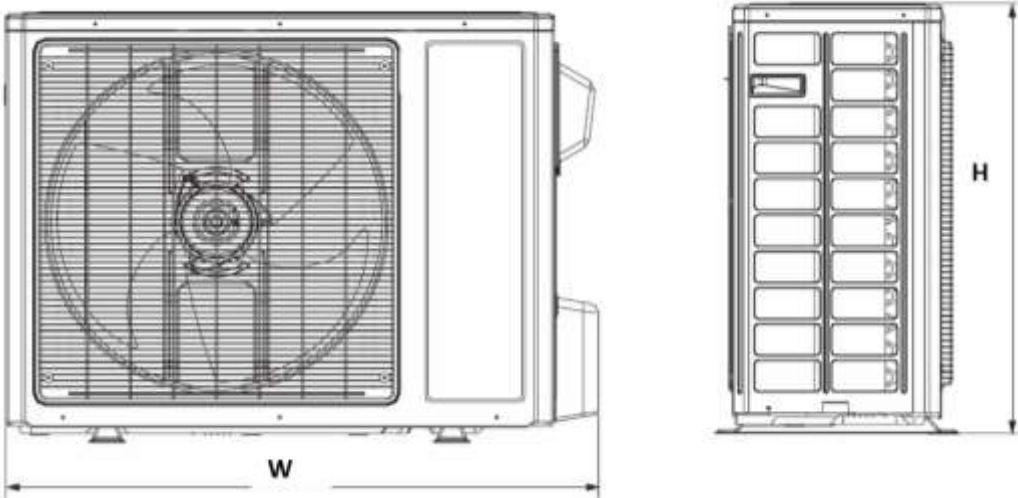
Summary, Features, and Construction Views

Outdoor Unit

ABXCI4H4S09 & ABXCI4H4S12



ABXCI4H4S18 & ABXCI4H4S24



Model	W	H	D
Units:mm			
ABXCI4H4S09	715	482	240
ABXCI4H4S12	810	585	280
ABXCI4H4S18	860	650	310
ABXCI4H4S24	885	795	366
Units:in			
ABXCI4H4S09	28-1/8	19	9-7/16
ABXCI4H4S12	31-7/8	23	11
ABXCI4H4S18	33-7/8	25-9/16	12-3/16
ABXCI4H4S24	34-7/8	31-5/16	14-3/8

*True dimensions in inches

Specifications

Specifications

9000 and 12000 BTU units

Parameter		Unit	Value		
Model			ABXEM4H4S09/ABXCI4H4S09	ABXEM4H4S12/ABXCI4H4S12	
Power Supply	Rated Voltage	V~	208/230	208/230	
	Rated Frequency	Hz	60	60	
	Phases		1	1	
Power Supply Mode			Outdoor	Outdoor	
Cooling Capacity (Min~Max)		Btu/h	9000(3600~10000)	12000(4000~13500)	
Heating Capacity (Min~Max)		Btu/h	9500(3600~10500)	13000(4000~14000)	
Cooling Power Input		W	655	960	
Heating Power Input		W	720	1110	
Cooling Current Input		A	2.9(1.0~6.5)	4.3(1.2~7.0)	
Heating Current Input		A	2.9(1.0~6.5)	5.0(1.2~7.0)	
Air Flow Volume (SH/H/M/L/SL)		CFM	341	365	
		m ³ /h	580	620	
Dehumidifying Volume		Pint/h	1.9	2.5	
		L/h	0.9	1.2	
EER		Btu/Wh	13.70	12.50	
COP		Btu/Wh	13.24	11.67	
SEER			22.5	20.0	
HSPF			10.7	11.0	
E-Star			Yes	Yes	
Indoor Unit	Indoor Unit Model		ABXEM4H4S09	ABXEM4H4S12	
	Fan Type		Cross-flow	Cross-flow	
	Sound Pressure Level (SH/H/M/L/SL)		dB(A)	39/32/29/26/-	39/32/29/26/-
	Dimension (WXHXD)		inch	32-7/8X11X8-11/16	32-7/8X11X8-11/16
			mm	835X280X220	835X280X220
	Dimension of Package (LXWXH)		Inch	34-1/4X13-3/16X10-7/16	34-1/4X13-3/16X10-7/16
			mm	870X335X265	870X335X265
	Net Weight		lb	18.74	19.84
kg			8.5	9.0	
Gross Weight		lb	24.25	24.25	
		kg	11.0	11.0	
Outdoor Unit	Outdoor Unit Model		ABXCI4H4S09	ABXCI4H4S12	
	Compressor Manufacturer		Hitachi	GMCC	
	Compressor Model		ASD088RKQA6JT6	ASN108D32UFZ	
	Compressor Type		Rotary	Rotary	
	Throttling Method		Capillary tube	Capillary tube	
	Set Temperature Range		°F	61~86	61~86
			°C	16~30	16~30
Ambient Temperature		°F	5~115	5~115	

	(Cooling)	°C	-15~46	-15~46
	Ambient Temperature	°F	-4~75	-4~75
	(Heating)	°C	-20~24	-20~24
	Condenser Form		Aluminum fin-copper tube	Aluminum fin-copper tube
	Sound Pressure Level	dB(A)	53	53
	Dimension (WXHxD)	mm	715X482X240	810X585X280
		in	28-1/8X19X9-7/16	31-7/8X23X11
	Dimension of Package (L/W/H)	mm	830X530X340	940X640X385
		in	32-11/16X20-7/8X13-3/8	37X25-3/16X15-3/16
	Net Weight	kg	27.0	33.0
		Lbs	59.5	72.75
	Gross Weight	kg	30	36
		Lbs	66.14	79.36
	Refrigerant		R410A	R410A
	Refrigerant Charge	grams	950	1160
		oz	33.5	40.9
	Outer Diameter Liquid Pipe	mm	6.35	6.35
		in	¼	¼
	Outer Diameter Gas Pipe	mm	9.53	9.53
		in	3/8	3/8

18000 and 24000 BTU units

Parameter		Unit	Value	
Model			ABXEM4H4S18/ABXCI4H4 S18	ABXEM4H4S24/ABXCI4 H4S24
Power Supply	Rated Voltage	V~	208/230	208/230
	Rated Frequency	Hz	60	60
	Phases		1	1
Power Supply Mode			Outdoor	Outdoor
Cooling Capacity (Min~Max)		Btu/h	18000(6500~19500)	23500(8000~26500)
Heating Capacity (Min~Max)		Btu/h	19000(6500~20000)	26000(8000~26500)
Cooling Power Input		W	1385	1880
Heating Power Input		W	1638	2500
Cooling Current Input		A	6.3(1.5~12)	8.3(1.8~13.0)
Heating Current Input		A	7.2(1.5~12.0)	11.1(1.8~13.0)
Air Flow Volume (SH/H/M/L/SL)		CFM	647	706
		m ³ /h	1100	1200
Dehumidifying Volume		Pint/h	3.17	5.07
		L/h	1.5	2.4
EER		Btu/Wh	13.00	12.50
COP		Btu/Wh	11.6	10.4
SEER			23.3	21.0
HSPF			11.6	10.5

E-Star			Yes	No
Indoor Unit	Indoor Unit Model		ABXEM4H4S18	ABXEM4H4S24
	Fan Type		Cross-flow	Cross-flow
	Sound Pressure Level (SH/H/M/L/SL)	dB(A)	45/41/37/34/-	47/42/36/33/-
	Dimension (WXHxD)	inch	43-5/16X12-13/16X9-5/8	43-5/16X12-13/16X9-5/8
		mm	1100X325X244	1100X325X244
	Dimension of Package (LXWXH)	Inch	46-1/16X15-3/8X12-7/16	46-1/16X15-3/8X12-7/16
		mm	1170X390X315	1170X390X315
	Net Weight	lb	32	32
		kg	14.5	14.5
	Gross Weight	lb	37.5	37.5
kg		17	17	
Outdoor Unit	Outdoor Unit Model		ABXCI4H4S18	ABXCI4H4S24
	Compressor Manufacturer		GMCC	GMCC
	Compressor Model		ATM150D43UFZ	ATF135D22UMT
	Compressor Type		Rotary	Rotary
	Throttling Method		Capillary tube	Capillary tube
	Set Temperature Range	°F	61~86	61~86
		°C	16~30	16~30
	Ambient Temperature (Cooling)	°F	5~115	5~115
		°C	-15~46	-15~46
	Ambient Temperature (Heating)	°F	-4~75	-4~75
		°C	-20~24	-20~24
	Condenser Form		Aluminum fin-copper tube	Aluminum fin-copper tube
	Sound Pressure Level	dB(A)	55	58
	Dimension (WXHxD)	mm	860X650X310	885X795X366
		in	33-7/8X25-9/16X12-3/16	34-7/8X31-5/16X14-3/8
	Dimension of Package (L/W/H)	mm	995X730X445	1050X890X500
		in	39-3/16X28-3/4X17-1/2	41-11/32X35/16X19-11/16
	Net Weight	kg	45	61
		Lbs	99	134.5
	Gross Weight	kg	49	65.5
		Lbs	108	144.4
	Refrigerant		R410A	R410A
	Refrigerant Charge	grams	1550	2150
		oz	54.7	75.8
	Outer Diameter Liquid Pipe	mm	6.35	9.53
		in	¼	3/8
Outer Diameter Gas Pipe	mm	12.7	15.88	
	in	1/2	5/8	

AHRI Certifications and SEER Rating

Indoor unit model	Outdoor unit model	AHRI Certification Reference Number	Rated Capacity (Btu/h)	SEER (Cooling) Btu/Wh	EER (Cooling) Btu/Wh	Heating Capacity (Btuh @ 47°F)	HSPF
ABXEM4H4S09	ABXCI4H4S09	203446794	9000	22.5	13.70	9500	10.7
ABXEM4H4S12	ABXCI4H4S12	203446795	12000	22.0	13.00	13000	10.5
ABXEM4H4S18	ABXCI4H4S18	203446799	18000	23.3	13.00	19000	11.6
ABXEM4H4S24	ABXCI4H4S24	203446800	23400	21.0	12.50	26000	10.5