

SUBMITTAL DATA SHEET	CH-12MIA115VI	CH-12MIA115VO
-----------------------------	----------------------	----------------------

Job Name:
 Location:
 Engineer:
 Submitted to:
 Submitted by:
 Reference:

Date:
 Approval:
 Construction:
 Unit #:
 Drawing #:



PERFORMANCE AND EFFICIENCY

Cooling		Heating	
12,000 Btu/h		12,000 Btu/h	
SEER	16	HSPF	9
EER	10	COP	3.10

OPERATION TEMPERATURE RANGE

Indoor		Outdoor	
cooling	heating	cooling	heating
62~90°F	32~86°F	5~122°F	5~86°F

ELECTRICAL


Power supply	115V / 60Hz, 1Ph
MCA	15 A
MFA	20 A

MCA: Minimum Circuit Ampacity

MFA: Max. fuse A

PIPING

Refrigerant piping Liquid side/Gas side	1/4 - 1/2 in
Max. refrigerant pipe length	82 ft
Max. difference in level	33 ft



This warranty should be registered on our web-site www.cooperandhunter.us within 60 days of installation. The warranty is only valid when installed by a Licensed HVAC Technician. A warranty period of Seven (7) years on compressor to the original registered end-user. A warranty period of Five (5) years on all parts to the original registered end user. Warranty applies only to products remaining in their original installation location.

INDOOR SPECIFICATION

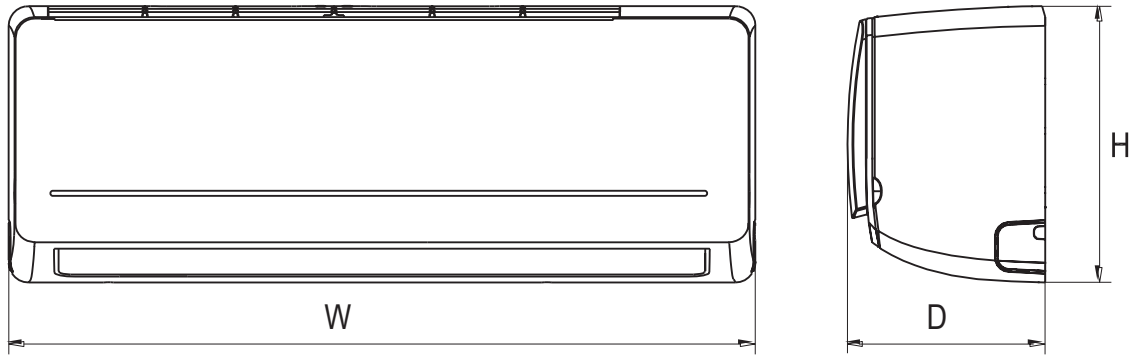
Air Flow (Hi/Mi/Lo)	294/211/141 CFM
Noise Level (Hi/Mi/Lo)	40.5/-/24 dB (A)
Unit Dimension (WxDxH)	31.57x7.44x11.69 in
Net/Gross Weight	18.52/24.25 lb

OUTDOOR SPECIFICATION

Air flow	1120 CFM
Noise Level	54 dB(A)
Dimension (WxDxH)	30.31x11.81x21.85 in
Net/Gross weight	74.7/80.1 lb
Refrigerant type/Quantity	R410A/33.9 oz
Refrigerant precharge	25 ft
Additional charge for each ft	0.16 oz

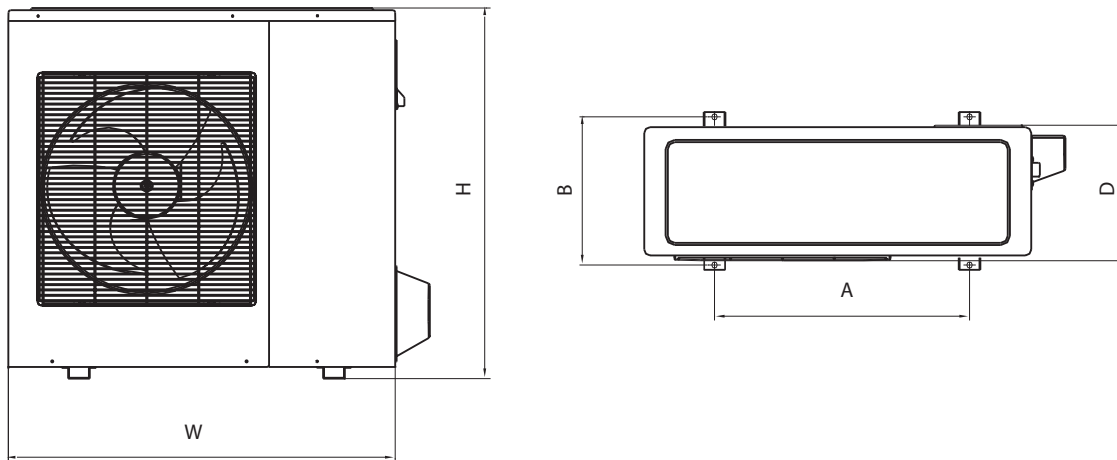
SUBMITTAL DATA SHEET	CH-12MIA115VI	CH-12MIA115VO
----------------------	---------------	---------------

INDOOR UNIT



Indoor Unit Dimensions in		
W	D	H
31.57	7.44	11.69

OUTDOOR UNIT



Outdoor Unit Dimensions WxDxH	Mounting Dimensions	
	Distance A	Distance B
30.31x11.81x21.85	19.17	11.69