



## Submittal Data Sheet

2.0-Ton Wall Mounted Cooling Only

FAQ24PVJU-RZR24PVJU8

### FEATURES

- Maximum piping length up to 164 ft. allows flexible placement of indoor unit
- Maximum piping height separation up to 98 ft.
- Low ambient cooling operation down to 0°F (with optional wind baffle(s))
- 10 year limited parts and compressor warranty

### INDOOR UNIT



### BENEFITS

- Quiet operation makes it ideal for many light commercial applications
- Inverter technology delivers precise temperature control and superior energy efficiency

### OUTDOOR UNIT





## Submittal Data Sheet

2.0-Ton Wall Mounted Cooling Only

FAQ24PVJU-RZR24PVJU8

### SYSTEM PERFORMANCE

Indoor Unit Model No.	FAQ24PVJU	Indoor Unit Name:	Sky-Air Wall Mounted - P Series
Outdoor Unit Model No.	RZR24PVJU8	Outdoor Unit Name:	Sky-Air Cooling Only ODU
Rated Cooling Capacity (Btu/hr):	23,800	Rated Cooling Conditions:	Indoor (°F DB/WB): 80 / 67 Ambient (°F DB/WB): 95 / 75
Sensible Capacity (Btu/hr):	18,000	Rated Piping Length(ft):	25
Max/Min Cooling Capacity (Btu/hr):	/	Rated Height Difference (ft):	0.00
Cooling Input Power (kW):	2.350	Rated Heating Conditions:	Indoor (°F DB/WB): 70 / 70 Ambient (°F DB/WB): 47 / 43
SEER (Non-Ducted/Ducted):	17.30 /		
EER (Non-Ducted/Ducted):	10.20 /		

### SYSTEM DETAILS

Refrigerant Type:	R-410A	Cooling Operation Range (°F DB):	23 - 115
Holding Refrigerant Charge (lbs):	5.10	Heating Operation Range (°F WB):	-
Additional Charge (lb/ft):	0.04	Max. Pipe Length (Vertical) (ft):	98
Pre-charge Piping (Length) (ft):	0	Cooling Range w/Baffle (°F DB):	0 - 115
Max. Pipe Length (Total) (ft):	164	Heating Range w/Baffle (°F WB):	-
Max Height Separation (Ind to Ind ft):	0		



## Submittal Data Sheet

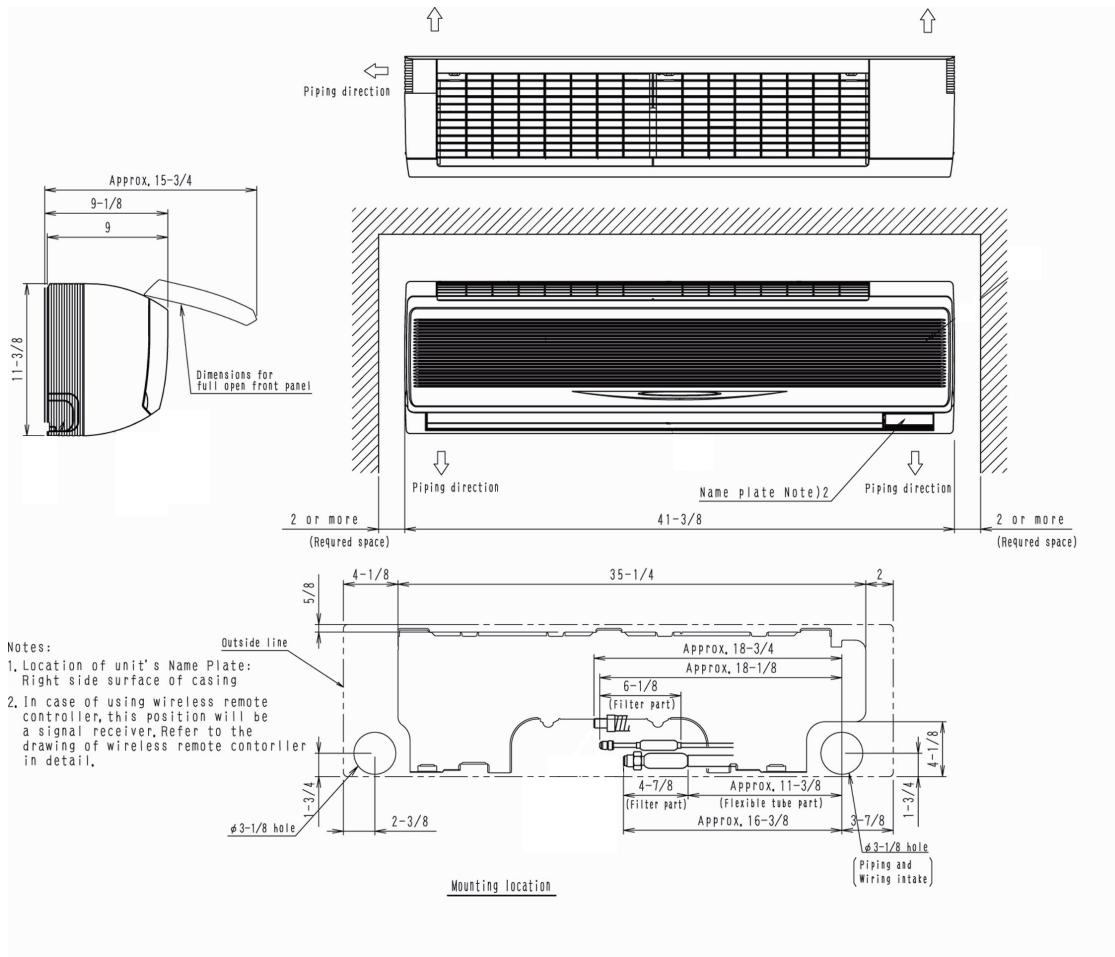
2.0-Ton Wall Mounted Cooling Only

FAQ24PVJU-RZR24PVJU8

### INDOOR UNIT DETAILS

Power Supply (V/Hz/Ph):	208/230 / 60 / 1	Airflow Rate (H/L) (CFM):	635/470
Power Supply Connections:	L1, L2, Ground	Moisture Removal (Gal/hr):	
Min. Circuit Amps MCA (A):	0.6	Gas Pipe Connection (inch):	5/8
Max Overcurrent Protection (MOP) (A):	15	Liquid Pipe Connection (inch):	3/8
Dimensions (HxWxD) (in):	11-3/8 x 41-3/8 x 9	Condensate Connection (inch):	1
Net Weight (lb):	31	Sound Pressure (H/M) (dBA):	47/40
Ext. Static Pressure (Rated/Max) (inWg):	0 / 0	Sound Power Level (dBA):	

## DIMENSIONAL DRAWING - INDOOR UNIT



Daikin North America LLC, 5151 San Felipe, Suite 500, Houston, TX, 77056

Daikin City Generated Submittal Data

[www.daikinac.com](http://www.daikinac.com) [www.daikincomfort.com](http://www.daikincomfort.com)

(Daikin's products are subject to continuous improvements. Daikin reserves the right to modify product design, specifications and information in this data sheet without notice and without incurring any obligations)

Submittal Date: 11/3/2017 12:32:51 PM

Page 3 of 4



**Submittal Data Sheet**  
 2.0-Ton Wall Mounted Cooling Only  
 FAQ24PVJU-RZR24PVJU8

**OUTDOOR UNIT DETAILS**

Power Supply (V/Hz/Ph):	208/230 / 60 / 1	Compressor Stage:	
Power Supply Connections:	L1, L2, Ground	Capacity Control Range (%):	-
Min. Circuit Amps MCA (A):	16.5	Airflow Rate (H) (CFM):	1835
Max Overcurrent Protection (MOP) (A):	20	Gas Pipe Connection (inch):	5/8
Max Starting Current MSC(A):		Liquid Pipe Connection (inch):	3/8
Rated Load Amps RLA(A):		Sound Pressure (H) (dBA):	49
Dimensions (HxWxD) (in):	30-5/16 x 35-7/16 x 12-5/8	Sound Power Level (dBA):	
Net Weight (lb):	150		

**DIMENSIONAL DRAWING - OUTDOOR UNIT**

RZR18PVJU8 / RZR24PVJU8 / RZR30PVJU8  
 RZQ18PVJU8 / RZQ24PVJU8 / RZQ30PVJU8

Unit: in.

