



Submittal Data Sheet

2.0-Ton Ceiling Suspended Unit

FHQ24PVJU-RZQ24PVJU8

FEATURES

- Auto-swing capability with 100° airflow pattern
- Innovative stream fan technology
- 10 year limited parts and compressor warranty

BENEFITS

- Lateral servicing space allows installation in corners, narrow space, walls, and ceilings

INDOOR UNIT



OUTDOOR UNIT





Submittal Data Sheet

2.0-Ton Ceiling Suspended Unit

FHQ24PVJU-RZQ24PVJU8

SYSTEM PERFORMANCE

Indoor Unit Model No.	FHQ24PVJU	Indoor Unit Name:	Sky-Air Ceiling Type - P Series
Outdoor Unit Model No.	RZQ24PVJU8	Outdoor Unit Name:	Sky-Air Heat Pump ODU
Rated Cooling Capacity (Btu/hr):	23,800	Rated Cooling Conditions:	Indoor (°F DB/WB): 80 / 67 Ambient (°F DB/WB): 95 / 75
Sensible Capacity (Btu/hr):	17,100	Rated Piping Length(ft):	25
Max/Min Cooling Capacity (Btu/hr):	/	Rated Height Difference (ft):	0.00
Cooling Input Power (kW):	1.900	Rated Heating Conditions:	Indoor (°F DB/WB): 70 / 60 Ambient (°F DB/WB): 47 / 43
SEER (Non-Ducted/Ducted):	17.50 /	HSPF (Non-Ducted/Ducted):	10.0 /
EER (Non-Ducted/Ducted):	12.60 /	Heating COP (Non-Ducted/Ducted):	3.4 /
Rated Heating Capacity (Btu/hr):	27,000		
Heating Input Power (kW):	2.20		

SYSTEM DETAILS

Refrigerant Type:	R-410A	Cooling Operation Range (°F DB):	23 - 115
Holding Refrigerant Charge (lbs):	5.10	Heating Operation Range (°F WB):	0 - 60
Additional Charge (lb/ft):	0.04	Max. Pipe Length (Vertical) (ft):	98
Pre-charge Piping (Length) (ft):	0	Cooling Range w/Baffle (°F DB):	0 - 115
Max. Pipe Length (Total) (ft):	164	Heating Range w/Baffle (°F WB):	-
Max Height Separation (Ind to Ind ft):	0		

Submittal Data Sheet

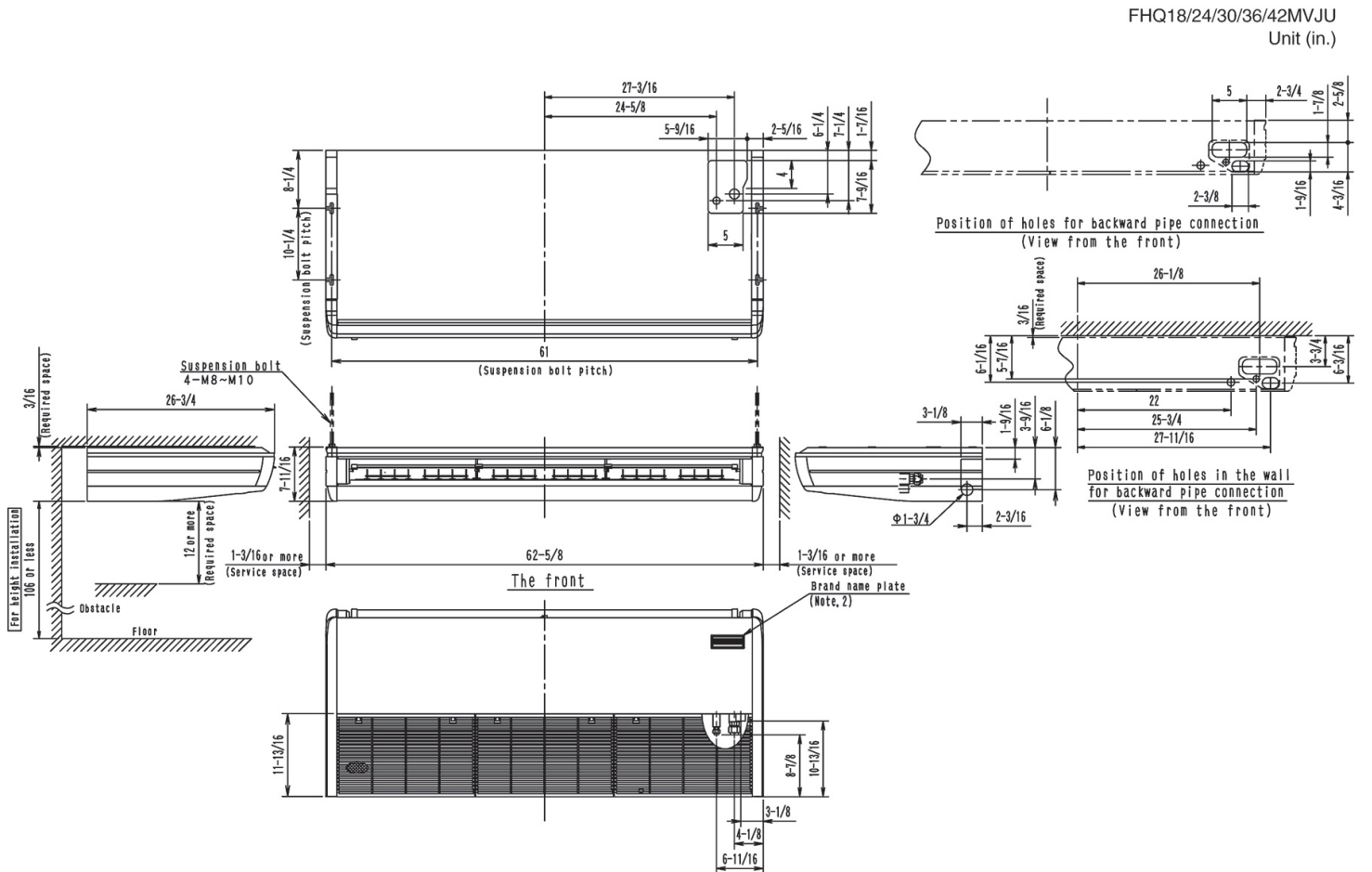
2.0-Ton Ceiling Suspended Unit

FHQ24PVJU-RZQ24PVJU8

INDOOR UNIT DETAILS

Power Supply (V/Hz/Ph):	208/230 / 60 / 1	Airflow Rate (H/L) (CFM):	790/670
Power Supply Connections:	L1, L2, Ground	Moisture Removal (Gal/hr):	
Min. Circuit Amps MCA (A):	1.3	Gas Pipe Connection (inch):	5/8
Max Overcurrent Protection (MOP) (A):	15	Liquid Pipe Connection (inch):	3/8
Dimensions (HxWxD) (in):	7-11/16 x 62-5/8 x 26-3/4	Condensate Connection (inch):	1
Net Weight (lb):	90	Sound Pressure (H) (dBA):	45
Ext. Static Pressure (Rated/Max) (inWg):	0 / 0	Sound Power Level (dBA):	

DIMENSIONAL DRAWING - INDOOR UNIT





Submittal Data Sheet
 2.0-Ton Ceiling Suspended Unit
 FHQ24PVJU-RZQ24PVJU8

OUTDOOR UNIT DETAILS

Power Supply (V/Hz/Ph):	208/230 / 60 / 1	Compressor Stage:	
Power Supply Connections:	L1, L2, Ground	Capacity Control Range (%):	-
Min. Circuit Amps MCA (A):	16.5	Airflow Rate (H) (CFM):	1835
Max Overcurrent Protection (MOP) (A):	20	Gas Pipe Connection (inch):	5/8
Max Starting Current MSC(A):		Liquid Pipe Connection (inch):	3/8
Rated Load Amps RLA(A):		Sound Pressure (H) (dBA):	49
Dimensions (HxWxD) (in):	30-5/16 x 35-7/16 x 12-5/8	Sound Power Level (dBA):	
Net Weight (lb):	150		

DIMENSIONAL DRAWING - OUTDOOR UNIT

RZR18PVJU8 / RZR24PVJU8 / RZR30PVJU8
 RZQ18PVJU8 / RZQ24PVJU8 / RZQ30PVJU8

Unit: in.

