



Submittal Form

Project Name:	
Location:	
Engineer:	
Submitted to:	
Submitted by:	
Reference:	

Approval:	
Date:	
Construction:	
Unit #:	
Drawing #:	

MODEL #	
INDOOR:	MEHS-09PSH1
OUTDOOR:	MCHS-09PSH1



ELECTRICAL

Power supply	Ph-V-Hz	1-115-60
Minimum Circuit Ampacity	A	15
Maximum Fuse Size	A	25

COOLING

Capacity	Btu/h	9000(3500 -11000)
Input	W	642
Rated current	A	2.8
EER	Btu/w	14
SEER	Btu/w	22.4

HEATING

Capacity	Btu/h	9800(4500-12500)
Input	W	820
Rated current	A	7.3
COP	A	3.5
HSPF	W/W	10.5
Low temperature heating capacity (5f)	Btu/h	4290

COMPRESSOR

Model		ASM98D32UFZ
Type		ROTARY
Brand		GMCC
Input	W	800
Rated Current (RLA)	A	N/A
Refrigerant Oil/Charge	ml	ESTER OIL VG74/370

SYSTEM DATA

Design pressure	MPa	550/340 PSIG
Refrigerant	oz	R410A/35.3
Refrigerant precharge	ft	25
Additional charge per ft.	oz	0.161
Liquid	mm(in)	6.35(1/4")
Gas	mm(in)	9.52(3/8")
Max. refrigerant pipe length	ft.	82
Max difference in level	ft.	33

INDOOR UNIT DATA

Indoor fan		MEHS-09PSH1
Model		ZKFP-20-8-5
Brand		SHIBAURA
Input	W	20
RLA	A	N/A
Speed(Hi/Mi/Lo)	r/min	(1100/1000/700)
Indoor air flow (Hi/Mi/Lo)	CFM	(295/254/159)
Indoor noise level (Hi/Mi/Lo)	dB(A)	(38.5/34/27)

INDOOR UNIT DIMENSIONS

Dimension(WxDxH)	inch	(31.89X7.87X11.81)
Packaging (WxDxH)	inch	(35.04X11.22X15.16)
Net/Gross weight	lbs.	18.7/22.5

OUTDOOR UNIT DATA

Outdoor fan		MCHS-09PSH1
Model		ZKFN-40-8-1L
Brand		WELLING
Input	W	40
RLA	A	N/A
Speed	r/min	N/A
Outdoor air flow	CFM	1060
Outdoor noise level	dB(A)	54.5

OUTDOOR UNIT DIMENSIONS

Dimension(WxDxH)	inch	(31.5X13.1X21.8)
Packaging (WxDxH)	inch	(35.43X13.58X23.03)
Net/Gross weight	lbs.	67.9/73.2

OPERATION TEMPERATURE

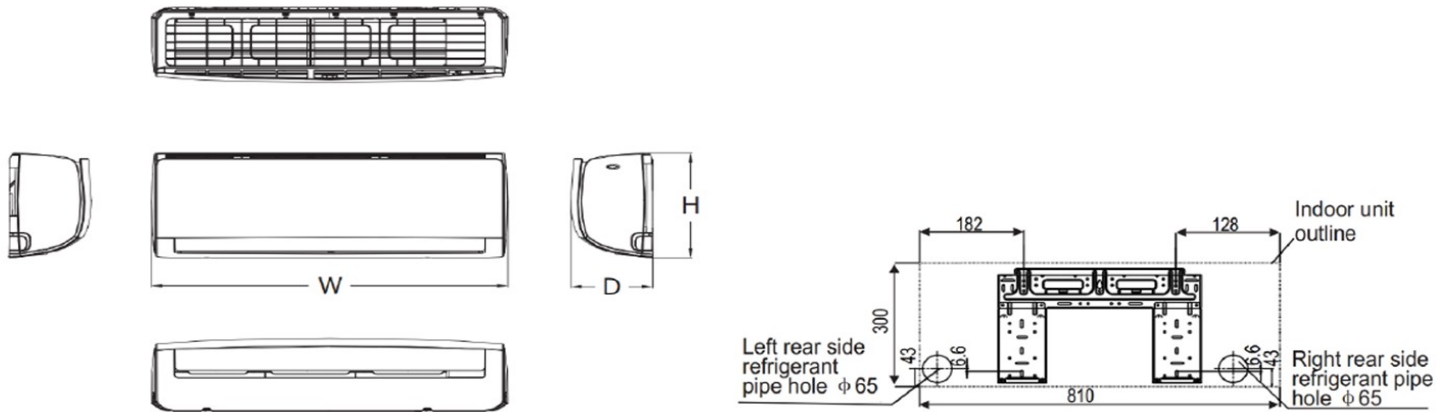
Indoor(cooling/ heating)	Deg. F	(62-90/32-86)
Outdoor(cooling/heating)	Deg. F	(-13-122/-13-86)

ACCESSORIES

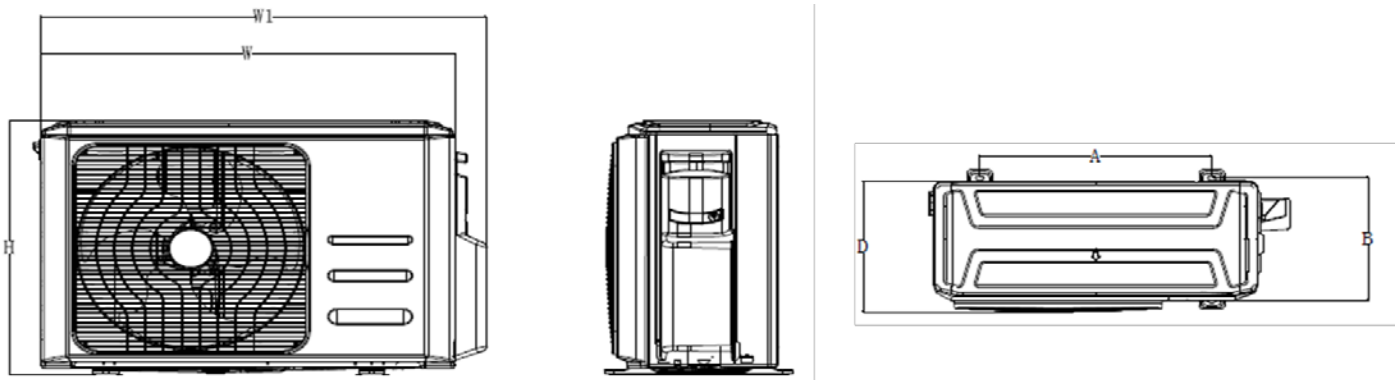
Wired Control	Model#	120G1
Interface Kit	Model#	Interface Kit for 120G1
Installation Kit	Model#	Installation Kit 1

Midea America Corp.

5 Sylvan Way, Parsippany, NJ 07054
P: (973) 539-5330 - F: (973) 539-5336
www.midea.com/us



Dimensions	Width	Depth	Height
Inches	31 8/9	7 7/8	11 6/8



Dimensions	Width	Width 1	Depth	Height	A	B
Inches	31 1/2	34 5/16	13 1/8	21 3/4	20 1/4	13 3/8

Midea America Corp.

5 Sylvan Way, Parsippany, NJ 07054
 P: (973) 539-5330 - F: (973) 539-5336
www.midea.com/us