



Submittal Form

Project Name:	
Location:	
Engineer:	
Submitted to:	
Submitted by:	
Reference:	

Approval:	
Date:	
Construction:	
Unit #:	
Drawing #:	

MODEL #	
INDOOR:	MEHS-36PSH2
OUTDOOR:	MCHS-36PSH2



ELECTRICAL

Power supply	Ph-V-Hz	1-208/230-60
Minimum Circuit Ampacity	A	20
Maximum Fuse Size	A	30

COOLING

Capacity	Btu/h	36000(8000-36200)
Input	W	3425
Rated current	A	15.3
EER	Btu/w	10.5
SEER	Btu/w	18

HEATING

Capacity	Btu/h	36000(9000-37000)
Input	W	3070
Rated current	A	13.8
COP	A	N/A
HSPF	W/W	9.8
Low temperature heating capacity (5f)	Btu/h	16380

COMPRESSOR

Model		ATF250D22UMT
Type		ROTARY
Brand		GMCC
Input	W	2070
Rated Current (RLA)	A	N/A
Refrigerant Oil/Charge	ml	Ester Oil VG74/670

SYSTEM DATA

Design pressure	MPa	550/340 PSIG
Refrigerant	oz	R410A/119.9
Refrigerant precharge	ft	25
Additional charge per ft.	oz	0.161
Liquid	mm(in)	9.52(3/8")
Gas	mm(in)	15.9(5/8")
Max. refrigerant pipe length	ft.	213
Max difference in level	ft.	98

INDOOR UNIT DATA

Indoor fan		MCHS-36PSH2
Model		ZKFP-58-8-1
Brand		WELLING
Input	W	58
RLA	A	N/A
Speed(Hi/Mi/Lo)	r/min	(1180/900/700)
Indoor air flow (Hi/Mi/Lo)	CFM	(882/618/441)
Indoor noise level (Hi/Mi/Lo)	dB(A)	(51/44/33)

INDOOR UNIT DIMENSIONS

Dimension(WxDxH)	inch	(53.15X10.71X14.37)
Packaging (WxDxH)	inch	(58.07x14.76x18.11)
Net/Gross weight	lbs.	43.2/55.6

OUTDOOR UNIT DATA

Outdoor fan		MCHS-36PSH2
Model		ZKFN-120-8-2
Brand		WELLING
Input	W	120
RLA	A	N/A
Speed	r/min	N/A
Outdoor air flow	CFM	2118
Outdoor noise level	dB(A)	60

OUTDOOR UNIT DIMENSIONS

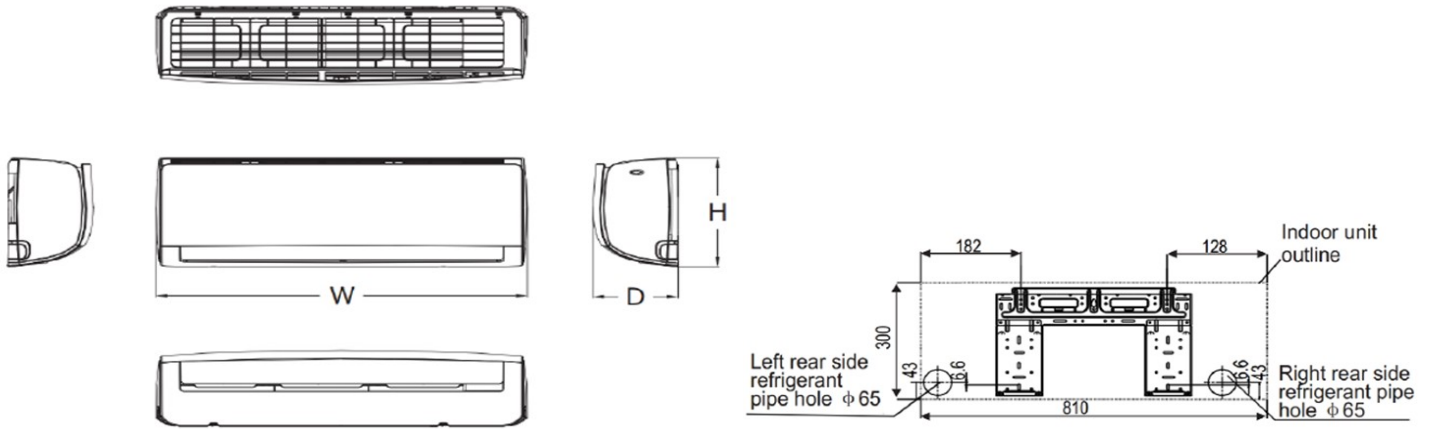
Dimension(WxDxH)	inch	(40.5X16.1X31.8)
Packaging (WxDxH)	inch	(42.91X19.69X34.06)
Net/Gross weight	lbs.	143.3/153.2

OPERATION TEMPERATURE

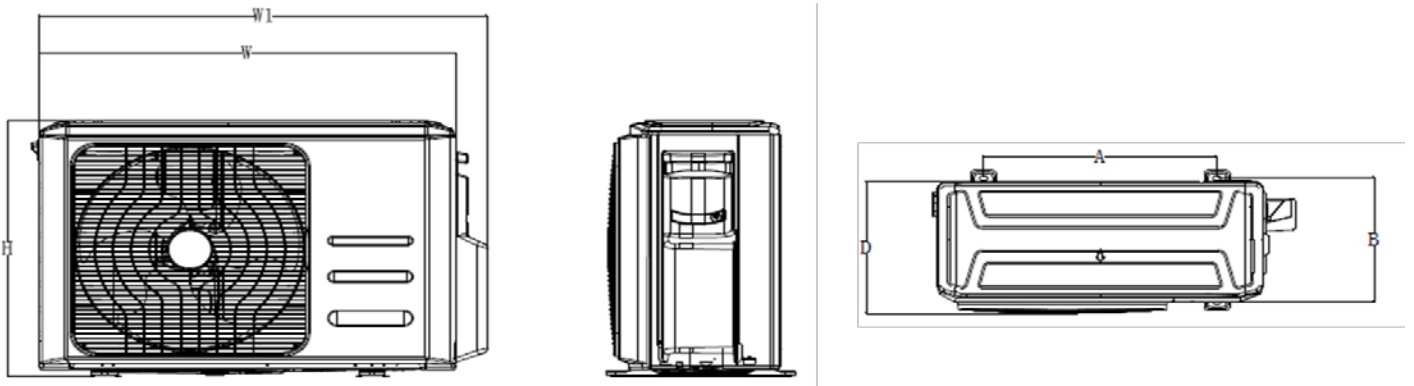
Indoor(cooling/ heating)	Deg. F	(62-90/32-86)
Outdoor(cooling/heating)	Deg. F	(5-122/5-86)

ACCESSORIES

Wired Control	Model#	120G1
Interface Kit	Model#	Interface Kit for 120G1
Installation Kit	Model#	Installation Kit 3



Dimensions	Width	Depth	Height
Inches	53 1/8	10 3/4	14 3/8



Dimensions	Width	Width 1	Depth	Height	A	B
Inches	40 1/2	40 5/8	16 1/8	31 6/8	26 1/2	15 7/8

Midea America Corp.

5 Sylvan Way, Parsippany, NJ 07054
 P: (973) 539-5330 - F: (973) 539-5336
www.midea.com/us