



## Submittal Form

Project Name:	
Location:	
Engineer:	
Submitted to:	
Submitted by:	
Reference:	

Approval:	
Date:	
Construction:	
Unit #:	
Drawing #:	

MODEL #	
<b>INDOOR:</b>	MEHSU-12CHN2
<b>OUTDOOR:</b>	MCHSU-12PHH2



### ELECTRICAL

Power supply	Ph-V-Hz	1-208/230-60
Minimum Circuit Ampacity	A	9
Maximum Fuse Size	A	15

### COOLING

Capacity	Btu/h	12000(3500-11000)
Input	W	960
Rated current	A	4.2
EER	Btu/w	12.5
SEER	Btu/w	19.4

### HEATING

Capacity	Btu/h	12000(4500-11500)
Input	W	1079
Rated current	A	4.7
COP	A	3.26
HSPF	W/W	10.5
Low temperature heating capacity (5f)	Btu/h	12000

### COMPRESSOR

Model		ATM115D43UFZ2
Type		ROTARY
Brand		GMCC
Input	W	870
Rated Current (RLA)	A	5.65
Refrigerant Oil/Charge	ml	Ester Oil VG74/500

### SYSTEM DATA

Design pressure	MPa	550/340 PSIG
Refrigerant	oz	R410A/52.9
Refrigerant precharge	ft	25
Additional charge per ft.	oz	0.161
Liquid	mm(in)	6.35(1/4")
Gas	mm(in)	9.52(1/2")
Max. refrigerant pipe length	ft.	82
Max difference in level	ft.	33

### INDOOR UNIT DATA

Indoor fan		MEHSU-12CHN2
Model		ZKFP-20-8-2
Brand		WELLING
Input	W	20
RLA	A	1.0
Speed(Hi/Mi/Lo)	r/min	(780/680/530)
Indoor air flow (Hi/Mi/Lo)	CFM	(414/361/267)
Indoor noise level (Hi/Mi/Lo)	dB(A)	(50/46/37)

### INDOOR UNIT DIMENSIONS

Dimension(WxDxH)	inch	(27.56X23.62X8.27)
Packaging (WxDxH)	inch	(31.89X27.95X12.01)
Net/Gross weight	lbs.	33.95/44.31

### OUTDOOR UNIT DATA

Outdoor fan		MCHSU-12PHH2
Model		ZKFN-40-8-1L
Brand		WELLING
Input	W	40
RLA	A	0.38
Speed	r/min	810
Outdoor air flow	CFM	1180
Outdoor noise level	dB(A)	57

### OUTDOOR UNIT DIMENSIONS

Dimension(WxDxH)	inch	(31.5X13.1X21.8)
Packaging (WxDxH)	inch	(36.22X15.35X24.21)
Net/Gross weight	lbs.	88.18/94.4

### OPERATION TEMPERATURE

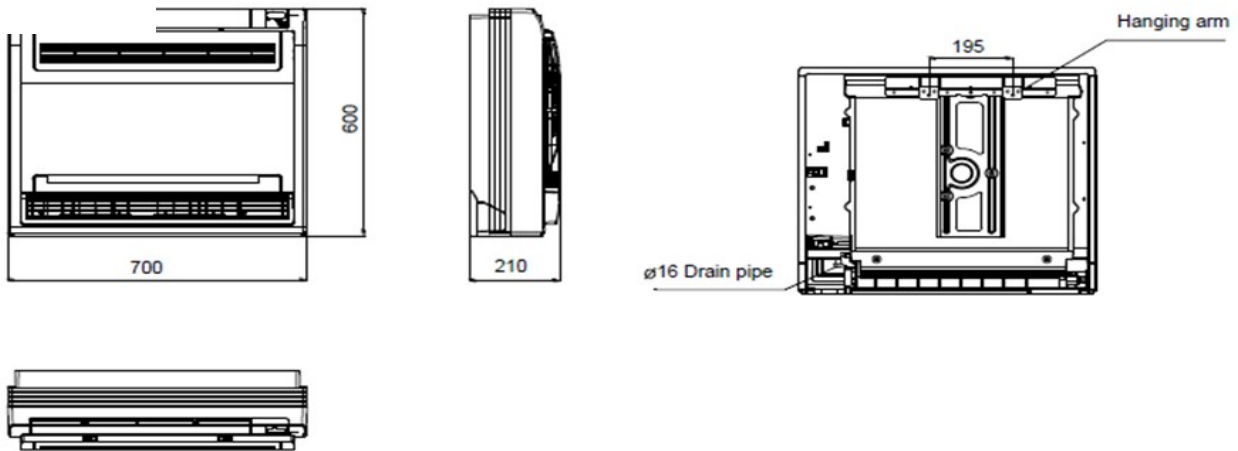
Indoor(cooling/ heating)	Deg. F	(62-90/32-86)
Outdoor(cooling/heating)	Deg. F	(-22-122/-22-86)

### ACCESSORIES

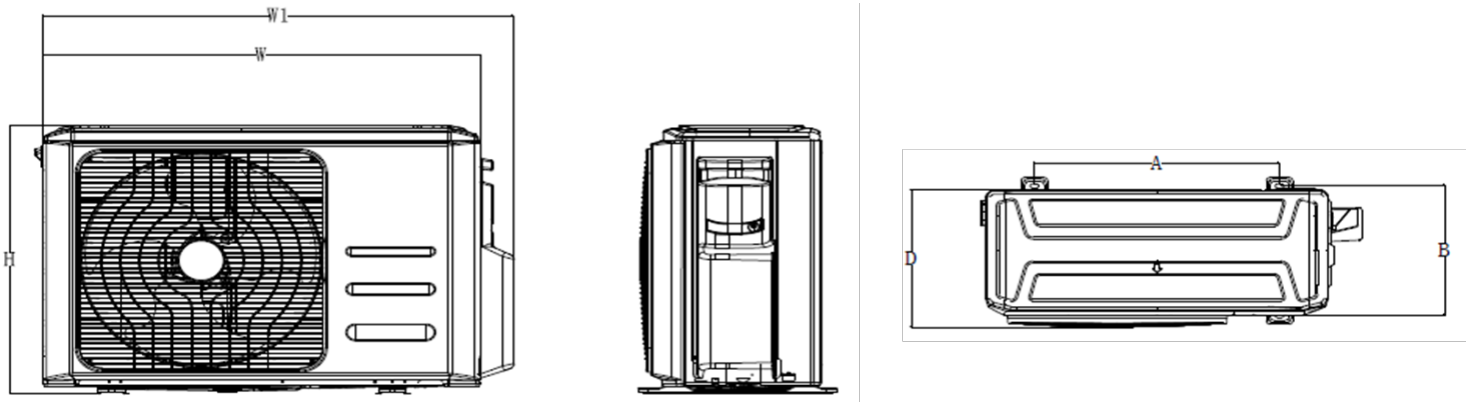
Installation Kit	Model #	Installation Kit 2
Piping Kit	Model #	PJX-2

### Midea America Corp.

5 Sylvan Way, Parsippany, NJ 07054  
 P: (973) 539-5330 - F: (973) 539-5336  
[www.midea.com/us](http://www.midea.com/us)



Dimensions	Width	Depth	Height
Inches	27 5/9	23 5/8	8 1/4



Dimensions	Width	Width 1	Depth	Height	A	B
Inches	31 1/2	34 5/16	13 1/8	21 3/4	20 1/4	13 3/8

**Midea America Corp.**

5 Sylvan Way, Parsippany, NJ 07054  
 P: (973) 539-5330 - F: (973) 539-5336  
[www.midea.com/us](http://www.midea.com/us)