



Submittal Form

Project Name:	
Location:	
Engineer:	
Submitted to:	
Submitted by:	
Reference:	

Approval:	
Date:	
Construction:	
Unit #:	
Drawing #:	

MODEL #	
INDOOR:	MEHSU-18CHC2
OUTDOOR:	MCHSU-18PHH2



ELECTRICAL

Power supply	Ph-V-Hz	1-208/230-60
Minimum Circuit Ampacity	A	18
Maximum Fuse Size	A	25

COOLING

Capacity	Btu/h	16000(4500-18000)
Input	W	1280
Rated current	A	5.6
EER	Btu/w	12.5
SEER	Btu/w	20

HEATING

Capacity	Btu/h	18000(5500-19000)
Input	W	1543
Rated current	A	6.7
COP	A	3.42
HSPF	W/W	10.5
Low temperature heating capacity (5f)	Btu/h	18000

COMPRESSOR

Model		ATF235D22UMT
Type		ROTARY
Brand		GMCC
Input	W	1970
Rated Current (RLA)	A	12.5
Refrigerant Oil/Charge	ml	Ester Oil VG74/670

SYSTEM DATA

Design pressure	MPa	550/340 PSIG
Refrigerant	oz	R410A/68.9
Refrigerant precharge	ft	25
Additional charge per ft.	oz	0.161
Liquid	mm(in)	6.35(1/4")
Gas	mm(in)	9.52(1/2")
Max. refrigerant pipe length	ft.	98
Max difference in level	ft.	66

INDOOR UNIT DATA

Indoor fan		MEHSU-18CHC2
Model		ZKFP-46-8-1
Brand		WELLING
Input	W	46
RLA	A	1.5
Speed(Hi/Mi/Lo)	r/min	(730/630/570)
Indoor air flow (Hi/Mi/Lo)	CFM	(520/449/406)
Indoor noise level (Hi/Mi/Lo)	dB(A)	(44/40/38)

INDOOR UNIT DIMENSIONS

Dimension(WxDxH)	inch	(22.44X22.44X10.24)
Packaging (WxDxH)	inch	(25.79X25.79X11.42)
Net/Gross weight	lbs.	35.49/41.23

OUTDOOR UNIT DATA

Outdoor fan		MCHSU-18PHH2
Model		ZKFN-50-8-2
Brand		WELLING
Input	W	50
RLA	A	0.42
Speed	r/min	850
Outdoor air flow	CFM	1355
Outdoor noise level	dB(A)	59

OUTDOOR UNIT DIMENSIONS

Dimension(WxDxH)	inch	(31.5X13.1X21.8)
Packaging (WxDxH)	inch	(37.99X15.55X29.72)
Net/Gross weight	lbs.	88.18/94.4

OPERATION TEMPERATURE

Indoor(cooling/ heating)	Deg. F	(62-90/32-86)
Outdoor(cooling/heating)	Deg. F	(-22-122/-22-86)

ACCESSORIES

Wired Control	Model#	120G2
Installation Kit	Model#	Installation Kit 2
Piping Kit	Model#	PJX-2

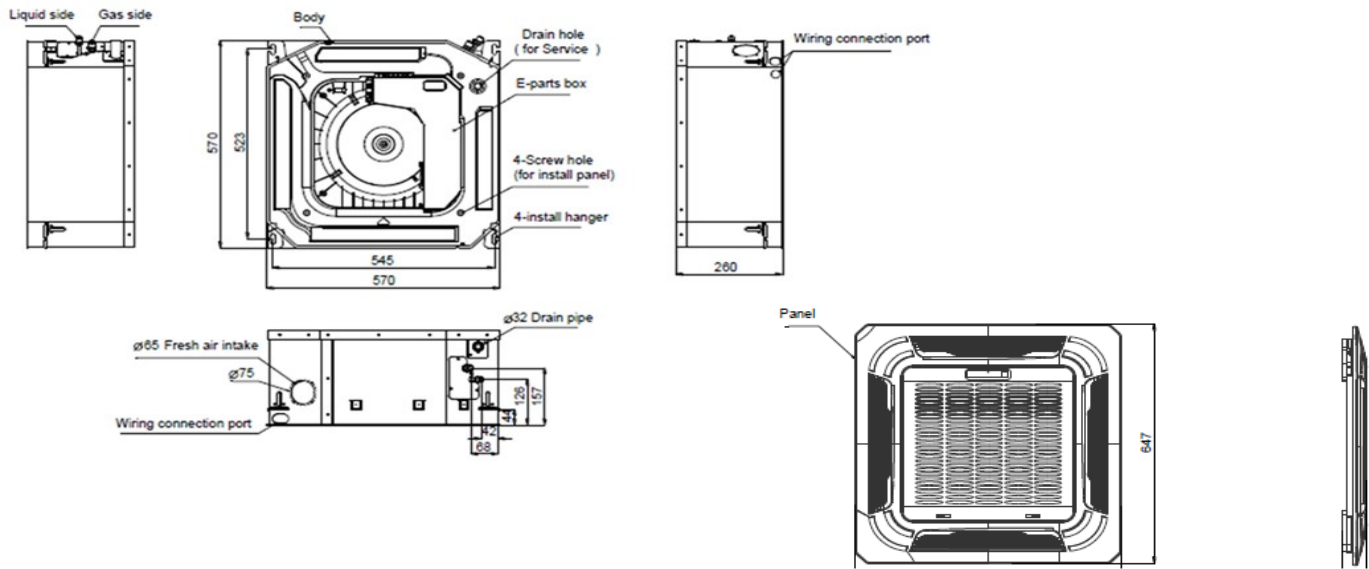
Midea America Corp.

5 Sylvan Way, Parsippany, NJ 07054
P: (973) 539-5330 - F: (973) 539-5336
www.midea.com/us

INDOOR UNIT

MODEL #

MEHSU-18CHC2

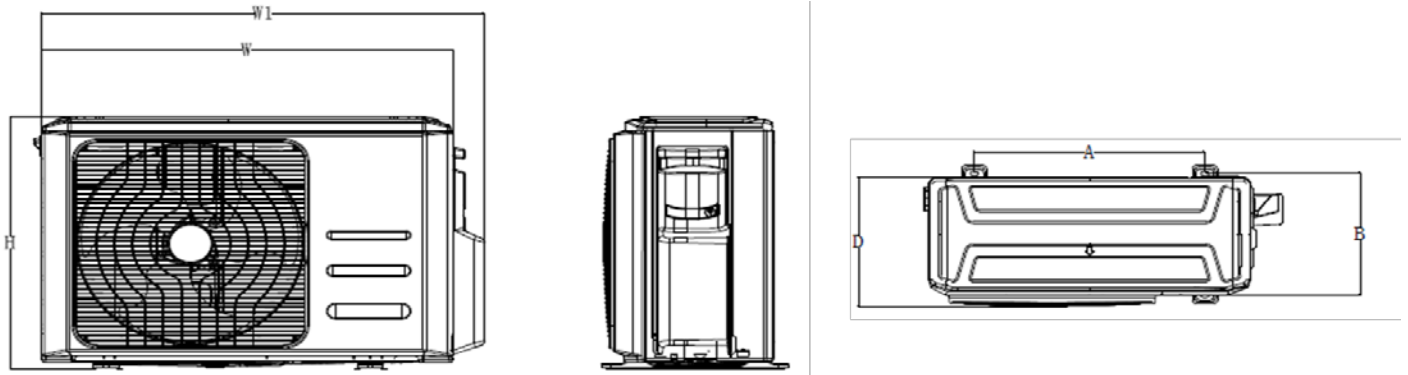


Dimensions	Width	Depth	Height
Inches	22 7/16	22 7/16	10 1/4

OUTDOOR UNIT

MODEL #

MCHSU-18PHH2



Dimensions	Width	Width 1	Depth	Height	A	B
Inches	31 1/2	34 5/16	13 1/8	21 3/4	20 1/4	13 3/8

Midea America Corp.

5 Sylvan Way, Parsippany, NJ 07054

P: (973) 539-5330 - F: (973) 539-5336

www.midea.com/us