



## Submittal Form

Project Name:	
Location:	
Engineer:	
Submitted to:	
Submitted by:	
Reference:	

Approval:	
Date:	
Construction:	
Unit #:	
Drawing #:	

MODEL #	
<b>INDOOR:</b>	MEHSU-18PHH2
<b>OUTDOOR:</b>	MCHSU-18PHH2



### ELECTRICAL

Power supply	Ph-V-Hz	1-208/230-60
Minimum Circuit Ampacity	A	17
Maximum Fuse Size	A	25

### COOLING

Capacity	Btu/h	18000(4500 -18800)
Input	W	1440
Rated current	A	6.3
EER	Btu/w	12.3
SEER	Btu/w	22.2

### HEATING

Capacity	Btu/h	18000(5500-24000)
Input	W	1640
Rated current	A	7.2
COP	A	3.22
HSPF	W/W	10.2
Low temperature heating capacity (5f)	Btu/h	18520

### COMPRESSOR

Model		ZKFP-58-8
Type		ROTARY
Brand		GMCC
Input	W	1970
Rated Current (RLA)	A	6.95
Refrigerant Oil/Charge	ml	Ester Oil VG74/670

### SYSTEM DATA

Design pressure	MPa	550/340 PSIG
Refrigerant	oz	R410A/68.9
Refrigerant precharge	ft	25
Additional charge per ft.	oz	0.161
Liquid	mm(in)	6.35 (1/4")
Gas	mm(in)	12.7 (1/2")
Max. refrigerant pipe length	ft.	98
Max difference in level	ft.	66

### INDOOR UNIT DATA

Indoor fan		MEHSU-18PHH2
Model		ZKFP-58-8-1
Brand		WELLING
Input	W	58
RLA	A	0.22
Speed(Hi/Mi/Lo)	r/min	(1050/900/700)
Indoor air flow (Hi/Mi/Lo)	CFM	(681/500/353)
Indoor noise level (Hi/Mi/Lo)	dB(A)	47.5/38/3.5.5

### INDOOR UNIT DIMENSIONS

Dimension(WxDxH)	inch	(42.91X9.25X13.31)
Packaging (WxDxH)	inch	(45.86X16.54X12.40)
Net/Gross weight	lbs.	28.6/37

### OUTDOOR UNIT DATA

Outdoor fan		MCHSU-18PHH2
Model		ZKFN-50-8-2
Brand		WELLING
Input	W	50
RLA	A	0.42
Speed	r/min	850
Outdoor air flow	CFM	1470
Outdoor noise level	dB(A)	58

### OUTDOOR UNIT DIMENSIONS

Dimension(WxDxH)	inch	(35.9X14.1X23.9)
Packaging (WxDxH)	inch	38X15.55X29.72)
Net/Gross weight	lbs.	107.6/114.6

### OPERATION TEMPERATURE

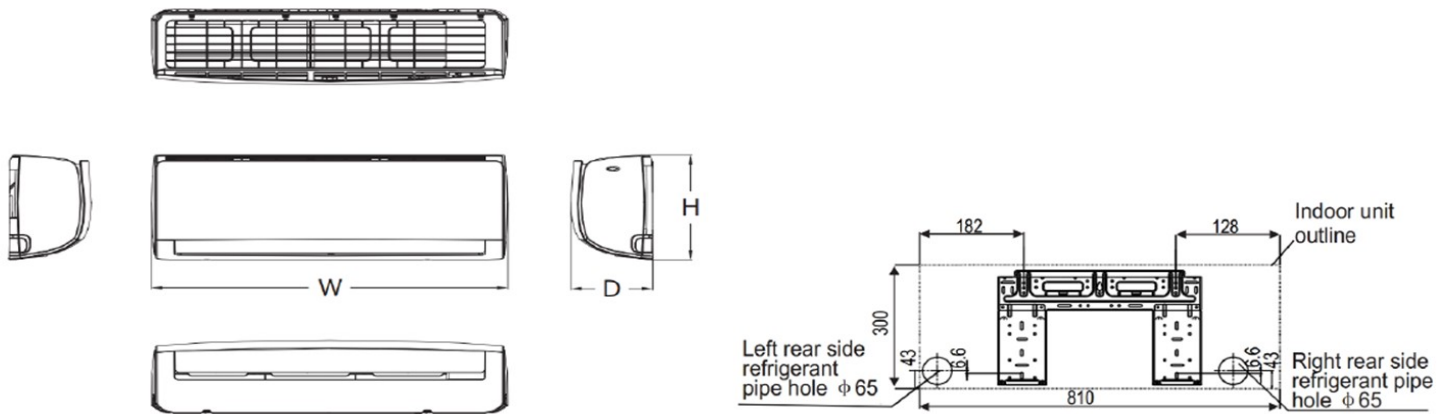
Indoor(cooling/ heating)	Deg. F	(62-90/32-86)
Outdoor(cooling/heating)	Deg. F	(-22-122/-22-86)

### ACCESSORIES

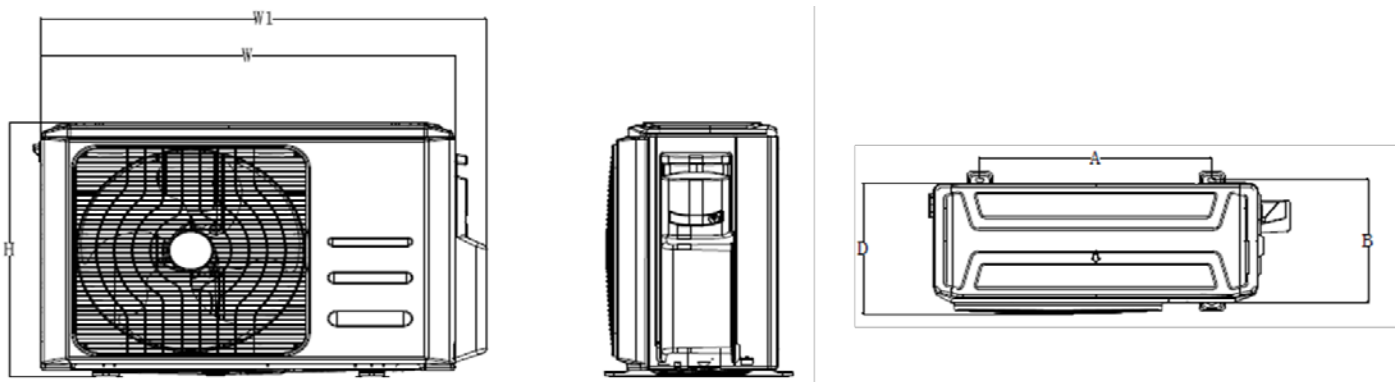
Wired Control	Model#	120G1
Interface Kit	Model#	Interface Kit for 120G1
Installation Kit	Model#	Installation Kit 2

### Midea America Corp.

5 Sylvan Way, Parsippany, NJ 07054  
P: (973) 539-5330 - F: (973) 539-5336  
[www.midea.com/us](http://www.midea.com/us)



Dimensions	Width	Depth	Height
Inches	42 7/8	9 1/4	13 2/8



Dimensions	Width	Width 1	Depth	Height	A	B
Inches	35 8/9	36	14 1/8	23 8/9	21 1/3	13 6/8

**Midea America Corp.**

5 Sylvan Way, Parsippany, NJ 07054  
 P: (973) 539-5330 - F: (973) 539-5336  
[www.midea.com/us](http://www.midea.com/us)