



## Submittal Data Sheet

Project Name:	Approval:
Location:	Date:
Engineer:	Construction:
Submitted to:	Unit #:
Submitted by:	Drawing #:
Reference:	

Code	22023010003883
Factory model	US1-KFR160T1W/BP3N1X-G-W
Indoor code	22023011003834
Indoor unit factory model	US1-KFR160T1/BP3N1X-G-W
Outdoor code	22023016002111
Outdoor unit factory model	US1-KFR160W/BP3T1N1-E30
Model	/
Indoor	MHG-60HWFN1-MW
Outdoor	MOE30U-60HFN1-M
NA Indoor model	MEU-60DPT2
NA Outdoor model	MCU-601PT2



### PERFORMANCE DATA

Power supply	Ph-V-Hz	208/230V-60Hz ,1Ph
--------------	---------	--------------------

<b>Cooling</b>		
Capacity	Btu/h	57000
Input	W	5700
Rated current	A	25
EER	Btu/w	10
SEER	Btu/w	18

<b>Heating</b>		
Capacity	Btu/h	62000.00
Input	W	5048.00
Rated current	A	23.1
COP	W/W	3.60
HSPF4		9
HSPF5		7.6

Low temperature heating capacity (2°C)	Btu/h	34905
Low temperature heating capacity (-7°C)	Btu/h	/
MINIMUM CIRCUIT AMPACITY	A	/
MAX.FUSE	A	36
Moisture Removal	L/h	/

### Compressor Electrical

Model		ATQ420D1UMU
Type		ROTARY
Brand		GMCC
Capacity	Btu/h	44697.00
Input	W	3420.00
Rated current(RLA)	A	----
Locked rotor Amp(LRA)	A	----
Thermal protector		----
Thermal protector position		----
Refrigerant oil/oil charge	ml	Ester Oil VG74/1400
Connection wiring		16AWG*3 Stranded, unshielded
Plug type		/
Thermostat type		Wire Control

### SYSTEM DATA

Design pressure	MPa	550/340 PSIG
Refrigerant type	oz	R410A/163
Refrigerant precharge	ft	25
Additional charge per ft.	oz	0.322
Liquid side/ Gas side	mm(in)	Φ9.52/Φ19.0(3/8"/3/4")
Max. refrigerant pipe length	ft	213
Max. difference in level	ft.	98
Application area	sq.ft	818-1194

### INDOOR UNIT DATA

Indoor fan motor		
Model		ZKFN-700-8-1
Brand		Broad-Ocean
Input		420
RLA	A	----
LRA	A	----
Winding Resistance	Ω	----
Capacitor	uF	----
Speed(Hi/Mi/Lo)	r/min	1060/910/790
<b>Air flow &amp; Noise level</b>		
Indoor air flow (Hi/Lo)	CFM	2155/1261
Indoor noise level (Hi/Lo)	dB(A)	57/51

### Indoor unit

Dimension(W*D*H)	inch	55.1x33.8x17.3
Packing (W*D*H)	inch	63.2x35.8x19.9
Net/Gross weight	lbs.	163.1/189.6

### OUTDOOR UNIT DATA

Outdoor fan motor		
Model		ZKFN-85-8-22-2
Brand		Welling
Input		126
RLA	A	----
LRA	A	----
Winding Resistance	Ω	----
Capacitor	uF	----
Speed	r/min	900/800
<b>Air flow &amp; Noise level</b>		
Outdoor air flow	CFM	4411
Outdoor noise level	dB(A)	64

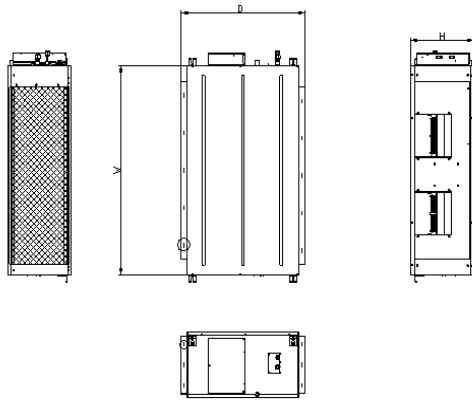
### Outdoor unit

Dimension(W*D*H)	inch	37.48x16.34x52.48
Packing (W*D*H)	inch	43.11x19.49x58.27
Net/Gross weight	lbs.	225.1/254.4

### Operation temperature

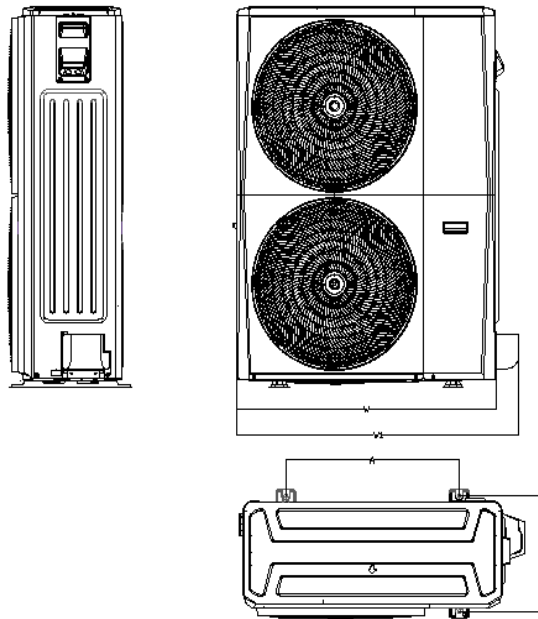
Indoor(cooling/ heating)	Deg. F	62~90/32~86
Outdoor(cooling/heating)	Deg. F	5~122/5~86

**INDOOR UNIT**



Model	W (inch)	D (inch)	H (inch)
MEU-60DPT2	55.1	33.8	17.3

**OUTDOOR UNIT**



Model	W (inch)	D (inch)	H (inch)	W1 (inch)	A (inch)	B (inch)
MCU-601PT2	37.48	16.34	52.48	40.55	24.96	15.91