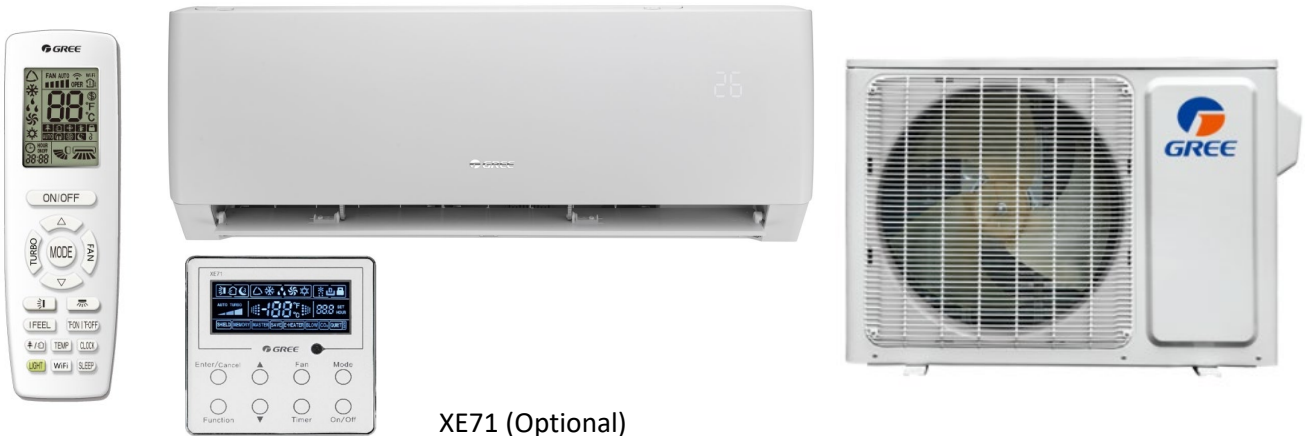




SUBMITTAL DATA: 3VIR09HP230V1A 9000 BTU/H Wall Mounted Heat Pump System		
Job Name	Location	Date
Purchaser	Engineer	
Submitted To	For	
Unit Designation	Schedule No.	

YAP1F7F 3VIR09HP230V1AH 3VIR09HP230V1AO



XE71 (Optional)

GENERAL FEATURES

- AHRI Certificate: 206839101**
- High Efficiency DC Inverter Technology**
- Compact and Quiet Design**
- Auto-Clean Function on Indoor Unit**
- Wireless Remote with LCD Display**
- Wired Controller Options**
- Wi-Fi Included (Factory Installed)**
- Low Ambient Cooling down to -20°F (Range -20°F to 122°F)**
- Low Ambient Heating down to -22°F (Range -22°F to 86°F)**
- Coil (Indoor and Outdoor)* Copper Tube / Aluminum Fin**
- * (Blue Fin) 500 Hrs Salt Spray Tested**

5 Year Limited Compressor & Parts Warranty (Residential Only)

SPECIFICATIONS

3VIR09HP230V1AO / 3VIR09HP230V1AH

System Type		HEAT PUMP	
SYSTEM PERFORMANCE			
Cooling	Rated Capacity @ 95°F	Btu/h	9100
	Min-Max Capacity	Btu/h	2457-10748
	Rated Power Input (Min - Max)	W	100-1030
Heating	Rated Capacity @ 47°F	Btu/h	10000
	Rated Capacity @ 17°F	Btu/h	7300
	Min-Max Capacity	Btu/h	2593-13307
	Rated Power Input (Min - Max)	W	860
SEER / EER		25.3 / 14.7	
HSPF / COP		11.2 / 3.75	
Energy Star®		YES	
Cooling Temperature Range		°F	-20 - 122
Heating Temperature Range		°F	-22 - 86
INDOOR UNIT		3VIR09HP230V1AH	
Fan Motor Output Power		W	15
Fan Motor FLA		amps	0.22
Air Flow (Min - Max)		CFM	194 - 353
Sound Pressure Level (Cooling / Heating)		dB(A)	25 - 40
Dehumidification		pt/hr	1.7
Condensate Drain Size (OD)		in	5 / 8
Unit Dimension (WxHxD)		in	32 1/2 X 11 1/2 X 7 3/4
Package Dimension (WxHxD)		in	34 1/4 X 13 3/4 X 10 1/8
Weight (Net / Gross)		lbs	21 / 25.4
OUTDOOR UNIT		3VIR09HP230V1AO	
Compressor Type		G-10 / 1-Stage Inverter	
Compressor RLA		amps	6
Fan Motor Output Power		W	30
Fan Motor RLA		amps	0.4
Sound Pressure Level (Cooling / Heating)		dB(A)	52
Unit Dimension (WxHxD)		in	33 3/8 X 23 1/2 X 12 5/8
Package Dimension (WxHxD)		in	34 1/2 X 24 7/8 X 14 1/4
Weight (Net / Gross)		lbs	73.9/80.5
Refrigerant Charge - R410A		oz	36.3
Coil Type		Aluminum Fin / Copper Tube	
REFRIGERANT PIPING			
Line Set Size (Liquid - Gas)		in	1/4 - 3/8
Pre-Charge Length		ft	25
Pipe Length (Min - Max)		ft	10 / 49
Max. Pipe Elevation		ft	33
ELECTRICAL			
Power Supply (Voltage Operating Range)		208-230V / 1Ph / 60Hz	
Rated Current (Cooling / Heating)		amps	3 / 7.2
MCA / MOCP		amps	9 / 15
Main Power Wire Size		AWG	Size Per Local Code
Interconnecting Wire Size		AWG	14 / 4
LIMITED WARRANTY			

EXTENDED RATINGS

3VIR09HP230V1A0 / 3VIR09HP230V1AH

COOLING PERFORMANCE						HEATING PERFORMANCE				
Outdoor Ambient Temperature (DB)		Return Air Temperature				Outdoor Ambient Temperature (DB)		Return Air Temperature		
		80°F (DB)						70°F (DB)		
		TC (Btu/h)	SHR	EER	Power Input (W)			TC (Btu/h)	COP	Power Input (W)
MAX OUTPUT	-20°F	4985	3813	2.65	552	MAX OUTPUT	-22°F	4300	1.29	980
	-15°F	5176	3976	2.68	566		-20°F	5000	1.41	1040
	-10°F	5386	4121	2.73	579		-15°F	5800	1.55	1100
	-5°F	5593	4270	2.74	598		-10°F	6600	1.69	1148
	0°F	5800	4480	2.78	612		-5°F	7480	1.87	1171
	5°F	5992	4644	2.81	625		0°F	8360	2.05	1195
	10°F	6184	4784	2.79	650		5°F	8910	2.14	1219
	15°F	6280	4881	2.78	663		10°F	9350	2.20	1244
	20°F	6568	5120	2.80	688		15°F	10780	2.49	1270
	25°F	6760	5262	2.78	713		17°F	11660	2.64	1296
	30°F	7144	5577	2.82	742		20°F	11880	2.63	1322
	35°F	7528	5896	2.79	790.1		25°F	12320	2.68	1349
	40°F	7720	6040	2.78	815		30°F	11880	2.63	1322
	45°F	8008	6256	2.67	879		35°F	12980	2.93	1297
	50°F	8296	6508	2.52	965.2		40°F	13860	3.07	1323
	55°F	8776	6910	2.56	1006		45°F	14800	3.21	1350
	60°F	9160	7202	2.51	1069		47°F	15400	3.21	1404
	65°F	9832	7756	2.54	1133		50°F	13200	2.87	1348
	70°F	10216	8096	2.56	1171.1		55°F	14080	3.00	1375
	75°F	10696	8466	2.62	1196.5		60°F	12100	2.69	1320
	80°F	11080	8862	2.69	1209.2		65°F	11220	2.44	1346
	85°F	11764	9110	2.79	1234.6		70°F	11550	2.44	1387
	90°F	11588	8713	2.72	1247.3		75°F	11880	2.43	1432
	95°F	11600	8488	2.70	1260		80°F	12030	2.41	1460
	100°F	10520	8205	2.35	1310		86°F	12280	2.40	1500
	105°F	9940	7882	2.14	1361					
	110°F	9556	7582	2.00	1400					
	115°F	9264	7501	1.87	1450					
120°F	8204	6708	1.64	1463						
122°F	8086	6555	1.60	1476						

LEGEND: W - Watts
 DB - Dry Bulb
 TC - Total Capacity
 SHR - Sensible Heat Ratio
 COP - Coefficient of Performance

FEATURES & FUNCTIONS SUMMARY

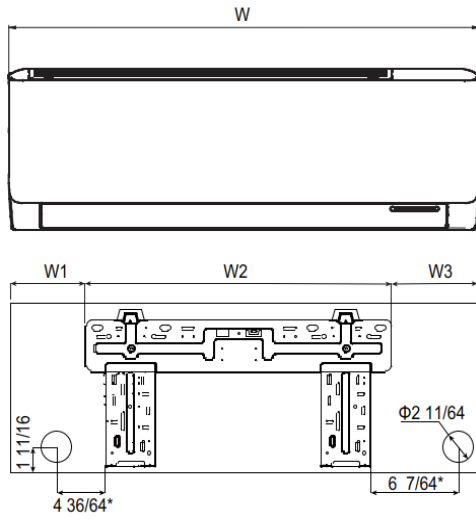
3VIR09HP230V1AO / 3VIR09HP230V1AH

SYSTEM FEATURES

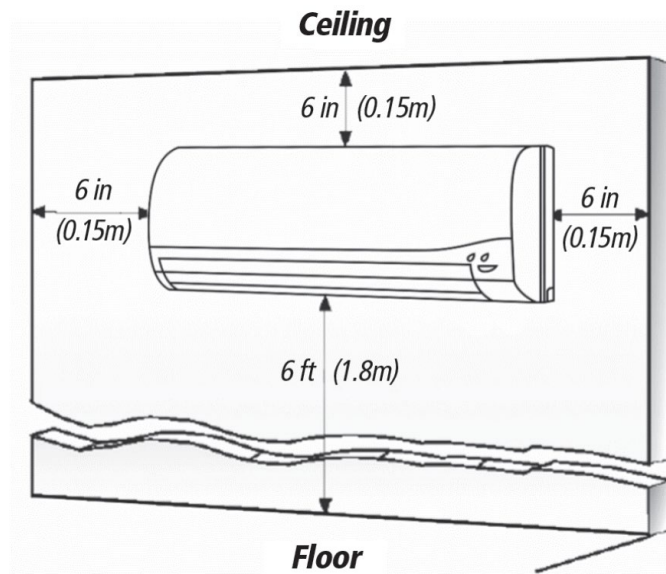
Inverter Type	G10
Ultra Low Frequency Torque Control	Yes
Power Factor Correction	Yes
Compressor Type - Inverter	High Efficiency Rotary
Basepan With Electric Heater	Yes
Indoor & Outdoor Fin Coating (Blue Fin)	Yes
Intelligent Defrosting	Yes
Intelligent Preheating	Yes
Low Voltage Startup	Yes
Memory/Power Failure Recovery	Yes
Self Diagnosis	Yes
Wired Controller Interface (XE71 or XK76 optional)	Yes
WiFi Included	Yes
NEW! Easy Service Access	Yes
Indoor Fan Type	Crossflow
Multi Fan Speeds	7 Speeds
Indoor Unit Display	Yes
Auxiliary Electrical Heater	No
Ventilation (Outdoor Air)	No

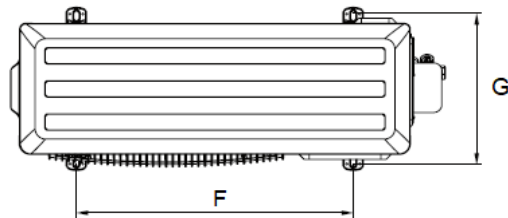
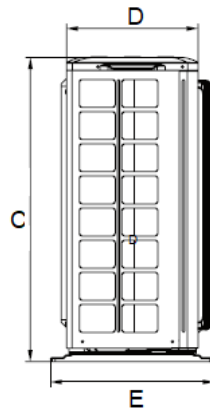
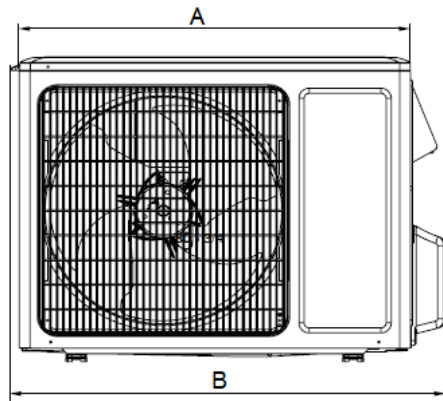
REMOTE CONTROLLER FUNCTIONS

NEW! Auto Clean	Yes
Auto Mode	Yes
Auto Fan	Yes
Auto Swing (Horizontal Auto Swing)	Yes
Auto Swing - 180° (Vertical Auto Swing)	Yes
Clock	Yes
Dry Mode	Yes
Dry Anti-Mildew (X-Fan) Mode	Yes
Energy Saving Mode	Yes
Dirty Filter Alert	No
Fan Speed Control (7 Speeds)	Yes
I Feel Function	Yes
Privacy Lock	Yes
Quiet Mode	Yes
Room Temperature Display	No
Sleep Mode	Yes
3 Sleep Mode Options	Yes
Timer Mode	Yes
Turbo Mode	Yes
Display On/Off Control	Yes
Freeze Guard Mode	Yes
Power Failure Mode	Yes



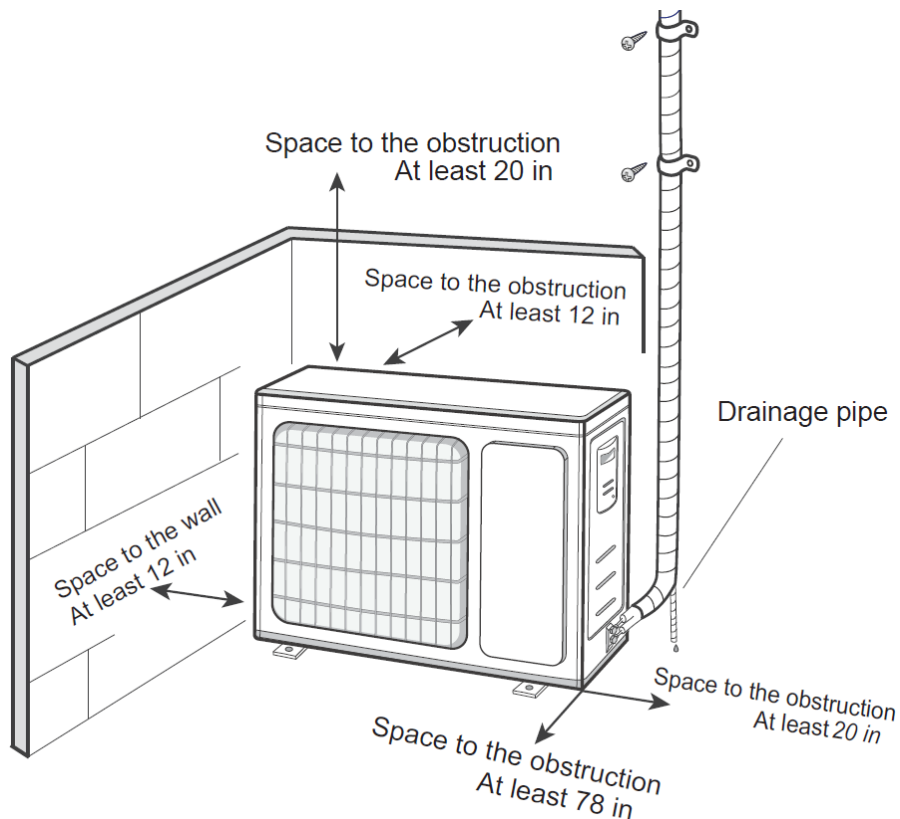
Dimensions	
W	32 1/2
D	7 3/4
H	11 1/2
W1	4 7/16
W2	21 3/8
W3	6 11/16





Dimensions	
A	30 3/4
B	33 3/8
C	23 1/2
D	10 1/8
E	12 5/8
F	21 5/16
G	11 5/16

Unit: inch



Specifications are subject to change without notice. Manufacturer reserves the right to discontinue or modify specifications or designs without notice or without incurring obligations. All Rights reserved.