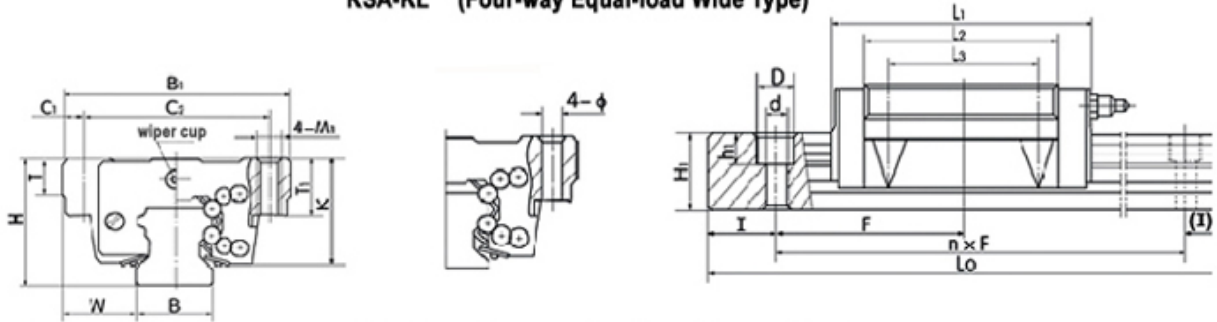
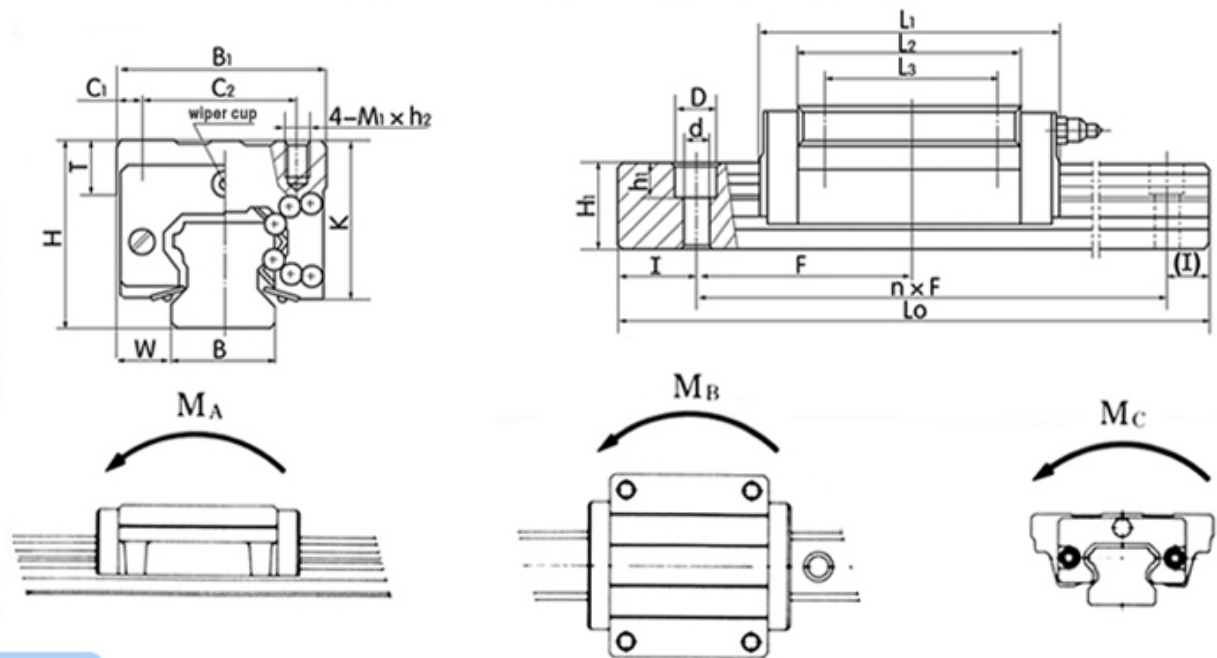


LINEAR GUIDE RAIL SYSTEMS

RSA-KL (Four-way Equal-load Wide Type)



RSL-ZL (Four-way Equal-load Narrow Type)



Mounting Dimensions

Spec.	Mounting Dimension		Rail Length						Symbol of block type											Load Rating (KN)		Static (N.m)		
	H	W	B	H1	I	F	L ₀ max	dXDXh1	B1	K	T	T1	C1	M1	Φ	C2	L1	L2	L3	C	Co	M _A	M _B	M _C
RSA-LG20	30	21.5	20	18	20	60	1525	6*9.5*8.5	63	24	10	10	5	M6	7	53	78	50	40	11.5	14.5	92.4	94	154
																	94	66		13.6	20.3	121.8	121.8	203
RSL-LG20	30	12	20	18	20	60	1525	6*9.5*8.5	44	25	8	h2	6	M5	32	78	50	36	11.5	14.5	92	92	154	
												6				94	66	50	13.6	20.3	121.8	121.8	203	